



FAGOR AUTOMATION

Linear and angular encoders

for CNC Machines and High Accuracy Applications



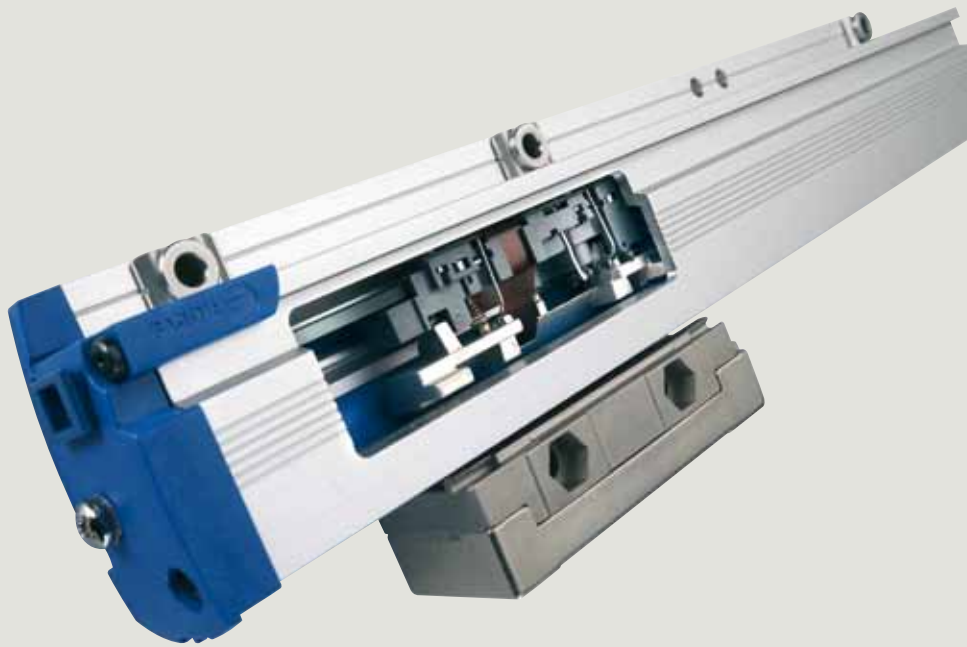


FAGOR AUTOMATION

Linear, angular and rotary encoders

Over 30 years of continuous evolution





Fagor Automation has been manufacturing high quality linear and rotary encoders using precision optical technology for more than 30 years.

Over the years Fagor has created, developed and patented systems, components and technologies that allow us to offer best quality and features over the complete range of product utilizing innovative production methods.

Hence making Fagor Automation the most efficient alternative in the world of feedback systems.

Modern facilities and innovative processes

In order to ensure quality and reliability in all its products Fagor Automation utilizes the most advanced technology and testing and manufacturing facilities. From centralized computer control temperature monitoring, cleanliness and relative humidity control, a must for the feedback system manufacturing process, to laboratories for climate, vibration and EMC testing to certify the designs.

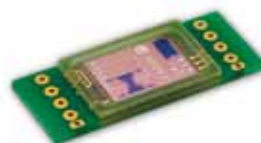


With state-of-the-art technology

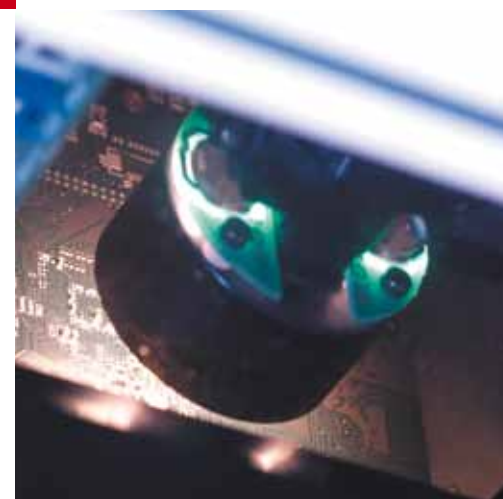
Fagor Automation's commitment to this technology and quality is evident by creation of **Aotek** in 2002, a dedicated research center providing various technological breakthroughs. This investment has resulted in large number of patents and customized solutions in electrical, optical and mechanical fields.



Steel-tape tensioner



Fringe scanning



Superior technology and innovative design

Fagor Automation develops with maximum professionalism the three cornerstones in encoder design: optical design, electronic design and mechanical design that result in a state-of-the-art product.

Optical design

Leader in measurement technologies, Fagor Automation uses transmissive and reflective optics in its range of encoders.

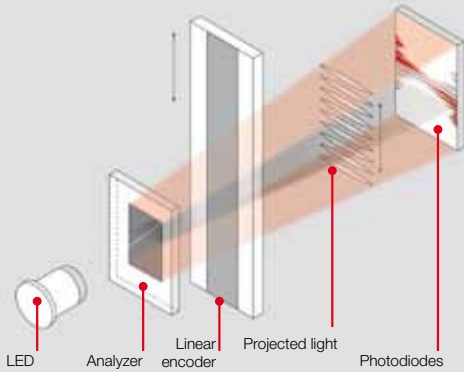
With new scanning techniques such as single field and three-phase scanning that provide high quality signals that minimize interpolation errors.

Electronic design

Fagor Automation uses latest generation integrated electronic components in their design hence achieving accurate signal optimization at high speeds and nano resolution.

Mechanical design

Fagor Automation designs and manufactures the most innovative and reliable measuring systems using its advanced mechanical designs. These designs using titanium and stainless steel materials provide the encoders with optimum robustness ensuring best performance in machine tool applications.



Thermal performance

When designing the encoders Fagor Automation has taken into account the effect of temperature change on their performance.

Most machine shops do not operate in temperature controlled environment hence affecting the accuracy of finished part. Using the TDMS™ system, **Thermal Determined Mounting System** which controls expansion/contraction, Fagor linear encoders can deliver consistent accuracy and repeatability.

For linear encoders more than three meters long, Fagor guarantees a thermal behavior identical to that of the machine surface it is mounted on thanks to the special mounting system at the end of the linear encoders.



The TDMS™ system is only available on G and SV series linear encoders.

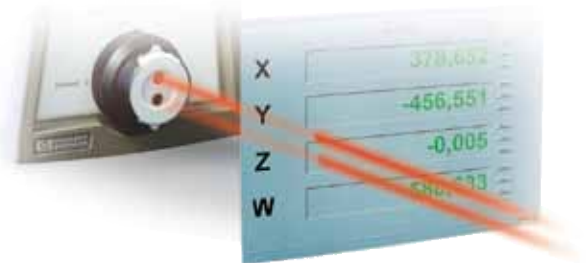
Quality

Accuracy certificate

Every single Fagor encoder is subjected to an extensive final accuracy check. This control is carried out on a computerized measuring bench equipped with a laser interferometer located inside a climate controlled chamber at 20 °C. The resulting final accuracy graph is supplied with every Fagor encoder.

The quality of the measurement is mainly determined by:

- Etching quality
- The quality of the scanning process
- The quality of the electronics that processes the signals







ABSOLUTE

Technology	10
Signals	12
Range	14

Linear

LA series	16
GA series	18
SA series	20
SVA series	22

Angular

HA-D200 series	24
HA-D90 series	25
SA-D170 series	26
SA-D90 series	27
Cables + extension cables	28



INCREMENTAL

Technology	32
Signals	34
Range	36

Linear

L series	38
G series	40
S series	42
SV series	44

Angular and rotary

H-D200 series	46
H-D90 series	47
S-D170 series	48
S1024-D90 series	49
S-D90 series	50
H series	52
S series	52
Cables + extension cables	54
Accessories	56

Technology

The absolute measurement system is a direct digital measure of machine position. It is fast, accurate and does not require homing of the machine. The position value is available from the moment the machine is turned on and may be requested by the connected device (CNC) at any time.

The absolute encoders provide direct measure of machine position without using any intermediate device. The positioning errors originating from machine mechanics are minimized as the encoder is directly mounted to the machine surface and the guide ways. The encoder sends the real machine movement data to the CNC and mechanical errors caused due to thermal behavior of the machine, pitch error compensation and backlash etc. are minimized.

Linear encoders

Fagor Automation uses two measuring methods in their absolute linear encoders:

- Graduated glass:** Linear encoders with a measuring length of up to 3 040 mm use optical transmission. The light from the LED goes through a graduated glass and a reticule before reaching the receiving photo diodes. The period of the generated electrical signals is the same as the graduation pitch.
- Graduated steel:** Linear encoders with a measuring length over 3040 mm use the autoimage principle by means of diffuse light reflected on the graduated steel tape. The reading system consists of one LED, as the light source of the linear encoder; a mesh that makes the image and a monolithic photo detector element in the plane of the image specially designed and patented by Fagor Automation.

Both measuring methods have two different etchings:

- Incremental graduation:** Used to generate incremental signals that are counted inside the reader head. The incremental graduation also provides the 1 Vpp analog signals except in systems that only use digital signals.
- Absolute graduation:** It is a unique binary code which is imprinted along the measuring length of encoder.

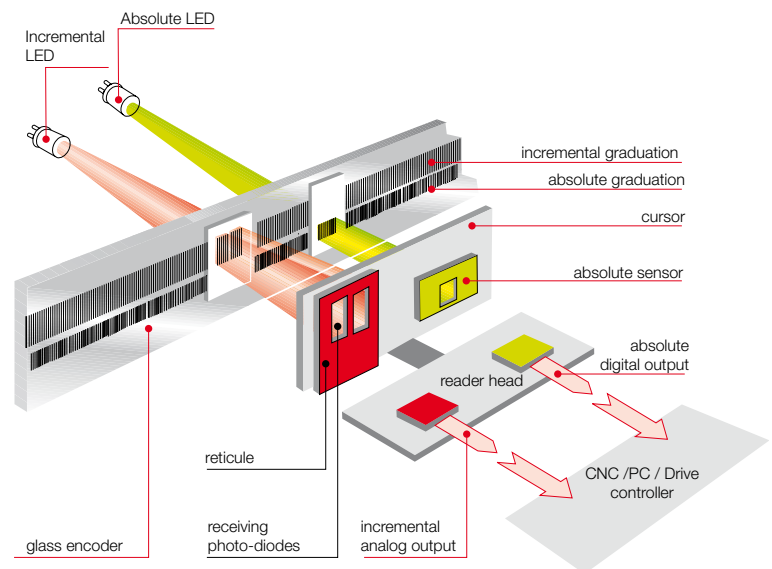
Fagor encoders calculate the absolute position by reading the unique binary code using a high precision optical sensor.

Enclosed design

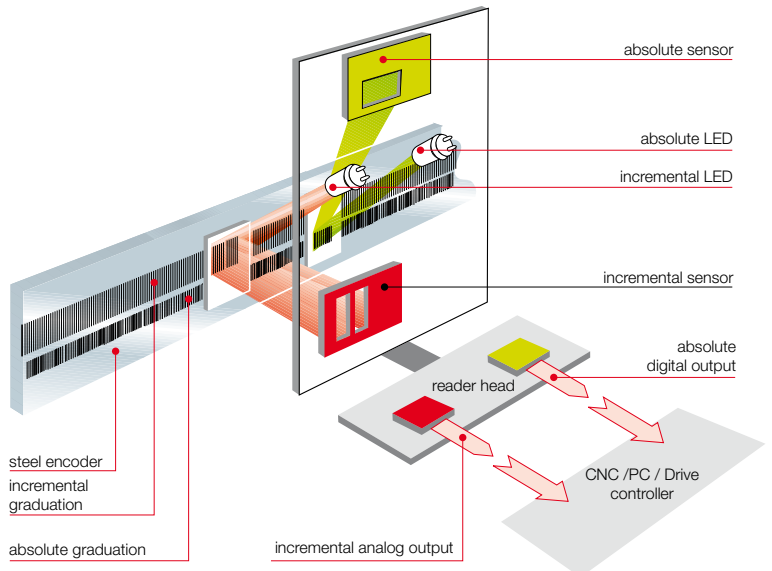
The robust aluminum profile encasing the graduated glass provides the primary protection. The sealing lips provides protection against contaminants and liquids as the reader head travels along the profile. The reader head movement along the graduated glass provides a perfectly balanced system accurately capturing the machine movement. The reader head travels on precision bearing with minimum contact with the profile hence minimizing the friction.

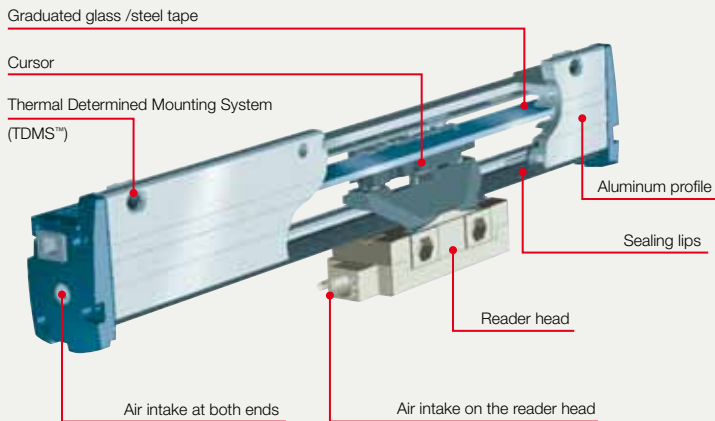
The optional air inlet at both ends of the encoder and at the reader head provides increased protection levels against contaminants and liquids.

Graduated glass encoder

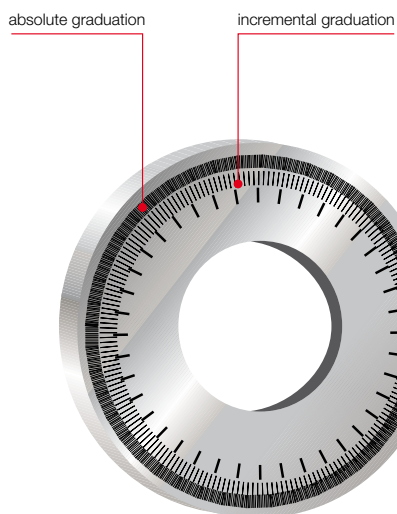
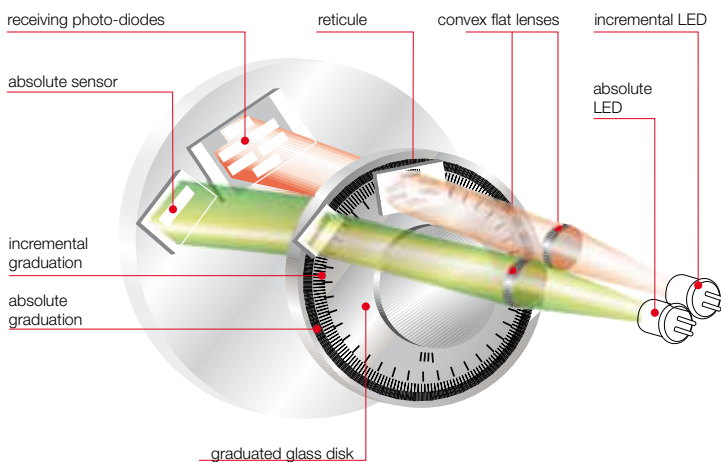


Graduated steel encoder





Graduated glass disk



Angular and rotary encoders

Angular encoders are used as angular movement sensors on machines that require high resolution and high accuracy.

Fagor angular encoders reach 23 and 27-bit angular resolution equivalent to 8 388 608 and 134 217 728 positions respectively and accuracy levels of $\pm 5''$, $\pm 2.5''$, $\pm 2''$ and $\pm 1''$ depending on the model. In them, the graduated disk of the measuring system is attached directly to the shaft. They have bearings and couplings that serve as guide and adjustment.

Couplings, besides minimizing the static and dynamic deviations, compensate for axial movements of the shaft providing easier mounting, smaller size and the possibility of hollow shafts.

Fagor Automation uses the **graduated glass** measuring method in their absolute angular and rotary encoders.

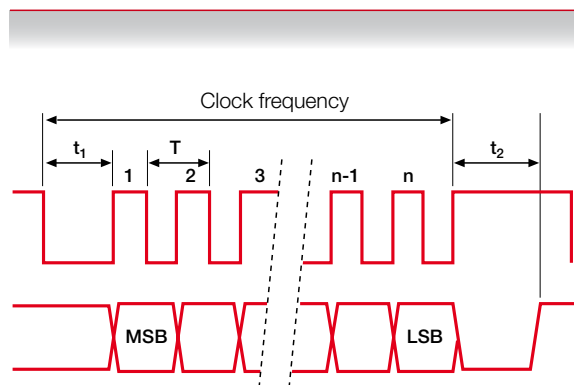
The measurement is based on the pitch determined by the number of pulses/turn. Like graduated glass linear encoders, they are based on optical transmission.

This measuring method has two different graduations: An **incremental** one and an **absolute** one, like linear encoders as described in the previous page.

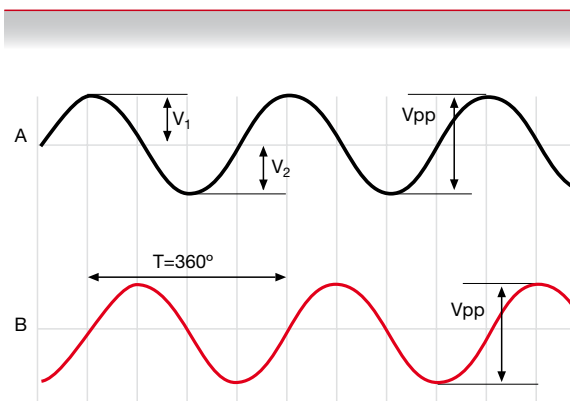
Electrical output signals

They are defined according to the communication protocol. Protocols are specific communication languages used by linear or angular encoders to communicate with the machine controller (CNC, drive, PLC, etc.). There are different communication protocols depending on the CNC manufacturer. Fagor Automation offers absolute encoders with different communication protocols compatible with the main CNC manufacturers on the market such as FAGOR, FANUC®, SIEMENS®, MITSUBISHI®, PANASONIC® and others.

absolute



1 Vpp differential



FAGOR systems

They may be connected to Fagor systems via:

1. Serial Synchronous Interface - SSI

These systems synchronize the SSI interface with the sinusoidal 1 Vpp signals. Once the absolute position has been obtained through the SSI interface, the encoders keep operating with incremental 1 Vpp signals.

ABSOLUTE signals

Transmission	SSI synchronous serial transfer via RS 485
Levels	EIA RS 485
Clock frequency	100 kHz - 500 kHz
Max. bit (n)	32
T	1 μ s + 10 μ s
t_1	> 1 μ s
t_2	20 μ s - 35 μ s
SSI	Binary
Parity	No

1 Vpp DIFFERENTIAL signals

Signals	A, /A, B, /B
V_{App}	1 V +20%, -40%
V_{Bpp}	1 V +20%, -40%
DC offset	2.5 V \pm 0.5 V
Signal period	20, 40 μ m
Supply V	5 V \pm 10%
Max. cable length	100 meters
A, B centered: $ V_1 - V_2 / 2 V_{pp}$	< 0.065
A&B relationship V_{App} / V_{Bpp}	0.8 \div 1.25
A&B phase shift	90 \pm 10°

2. Fagor FeeDat Serial Interface

These systems only use digital signals.

The absolute encoder is connected via the SERCOS board.

A high communication speed of 10 MHz provides a loop time of 10 microseconds. Communication also includes alarms, analog signal values and other encoder parameters.

Fagor FeeDat is an open communication protocol that is also used to communicate with other CNC system manufacturers.

SERCOS counter board



SIEMENS® systems

They may be connected to Siemens® systems via:

1. Serial Synchronous Interface - SSI

These systems synchronize the SSI interface with sinusoidal 1 Vpp signals. Once the absolute position has been obtained through the SSI interface, the encoders keep operating with incremental 1 Vpp signals. These encoders are only valid to connect to SME 25 or SMC 20 modules of the Solution Line family.

ABSOLUTE signals

Transmission	SSI synchronous serial transfer via RS 485
Levels	EIA RS 485
Clock frequency	100 kHz - 500 kHz
Max. bit (n)	28
T	1 μs + 10 μs
t ₁	> 1 μs
t ₂	20 μs - 35 μs
SSI	Gray
Parity	Yes

2. DRIVE-CLiQ® Interface

These systems only use digital signals.

The absolute encoder is connected through a cable having the electronics integrated into the connector and it is connected to the "Solution Line" family without the need for intermediate modules.

Sistemas FANUC® Serial Interface for position feedback encoder

These systems only use digital signals. The absolute encoder is connected through the SDU (Separate Detector Unit) device and is valid for communication protocol versions FANUC® 01 and 02 serial interface.

MITSUBISHI® systems High Speed Serial Interface - HSSI

These systems only use digital signals. The absolute encoder is connected through the MDS Series drive and it is valid for MITSUBISHI® communication protocol versions Mit 03-2/4.

1 Vpp DIFFERENTIAL signals

Signals	A, /A, B, /B
V _{App}	1 V +20%, -40%
V _{Bpp}	1 V +20%, -40%
DC offset	2.5 V ±0.5 V
Signal period	20, 40 μm
Supply V	5 V ±10%
Max. cable length	100 meters
A, B centered: $ V_1 - V_2 / 2 V_{pp}$	< 0.065
A&B relationship V_{App} / V_{Bpp}	0.8 ÷ 1.25
A&B phase shift	90° ±10°

PANASONIC® systems Serial Communication

These systems only use digital signals. The absolute encoder is connected through the MINAS series drive.

As an example, here is the photo and characteristics of the Panasonic® MINAS A5L drive.

These systems use Analogue / Pulse signals.

- Systems can be connected to linear motors, shaft motors, DD motors
- Automatic drive/motor matching software available
- Vibration, resonance suppression filters available with setting done automatically / manually
- Drive range from 50 W to 15 kW at AC 100 V / 200 V / 400 V
- Safety Torque Off feature available



PANASONIC® A5L systems

Range

Analyze the application to make sure that the proper encoder will be selected for the machine.

To do this, bear in mind the following considerations

■ Linear

Installation

Consider the physical length of the installation and the space available for it.

These aspects are crucial to determine the type of linear encoder to use (type of profile).

Accuracy

Each linear encoder comes with a graph showing its accuracy along its measuring length.

Signal

The signal selection considers the communication protocols compatible with the main CNC manufacturers.

Resolution

The resolution of the control of machine-tools depends on the linear encoder.

Cable length

The length of the cable depends on the type of signal.

Compatibility

The signal must be compatible with the control system.

Speed

The speed requirements for the application must be analyzed before choosing the linear encoder.

Shock and Vibration

Fagor linear encoders withstand vibrations of up to 20 g and shocks of up to 30 g.

■ Angular

Installation

This point considers the physical dimensions of the installation and the space available for it.

It is essential to determine its type of shaft: Hollow or solid.

Accuracy

Each encoder comes with a graph showing its accuracy along its measuring length.



Linear

Series	Section	Measuring lengths
LA Long		440 mm to 50 m
GA Wide		140 mm to 3 040 mm
SA Reduced		70 mm to 1 240 mm
SVA Reduced		70 mm to 2 040 mm

Angular

Series	Section	Type of shaft
HA-D200		Hollow shaft
HA-D90		Hollow shaft
SA-D170		Solid shaft
SA-D90		Solid shaft



Accuracy	Signals	Pitch Resolution up to	Model	Page
± 5 μm	SSI +1 Vpp FAGOR SSI +1 Vpp SIEMENS®(*) FANUC® / MITSUBISHI® / PANASONIC® / FAGOR SIEMENS®(*)	0.1 μm	LA	16 and 17
		1 μm	LAS	
		0.01 μm	LAF / LAM / LAP / LAD	
			LAD + EC-PA-DQ	
± 5 μm and ± 3 μm	SSI +1 Vpp FAGOR / SIEMENS®(*) FANUC® / MITSUBISHI® / PANASONIC® / FAGOR SIEMENS®(*)	0.1 μm	GA / GAS	18 and 19
		0.01 μm	GAF / GAM / GAP / GAD GAD + EC-PA-DQ	
± 5 μm and ± 3 μm	SSI +1 Vpp FAGOR / SIEMENS®(*) FANUC® / MITSUBISHI® / PANASONIC® / FAGOR SIEMENS®(*)	0.1 μm	SA / SAS	20 and 21
		0.01 μm	SAF / SAM / SAP / SAD SAD + EC-PA-DQ	
± 5 μm and ± 3 μm	SSI +1 Vpp FAGOR / SIEMENS®(*) FANUC® / MITSUBISHI® / PANASONIC® / FAGOR SIEMENS®(*)	0.1 μm	SVA / SVAS	22 and 23
		0.01 μm	SVAF / SVAM / SVAP / SVAD SVAD + EC-PA-DQ	

Accuracy	Signals	Model	Page
± 2" and ± 1"	SSI +1 Vpp FAGOR / SIEMENS® (*)	HA-D200/ HAS-D200	24
	FANUC® / MITSUBISHI® / PANASONIC® / FAGOR	HAF-D200 / HAM-D200 / HAP-D200 / HAD-D200	
	SIEMENS® (*)	HAD-D200 + EC-PA-DQ	
± 5" and ± 2,5"	SSI +1 Vpp FAGOR / SIEMENS® (*)	HA-D90 / HAS-D90	25
	FANUC® / MITSUBISHI® / PANASONIC® / FAGOR	HAF-D90 / HAM-D90 / HAP-D90 / HAD-D90	
	SIEMENS® (*)	HAD-D90 + EC-PA-DQ	
± 2"	SSI +1 Vpp FAGOR / SIEMENS® (*)	SA-D170 / SAS-D170	26
	FANUC® / MITSUBISHI® / PANASONIC® / FAGOR	SAF-D170 / SAM-D170 / SAP-D170 / SAD-D170	
	SIEMENS® (*)	SAD-D170 + EC-PA-DQ	
± 5" and ± 2,5"	SSI +1 Vpp FAGOR / SIEMENS® (*)	SA-D90 / SAS-D90	27
	FANUC® / MITSUBISHI® / PANASONIC® / FAGOR	SAF-D90 / SAM-D90 / SAP-D90 / SAD-D90	
	SIEMENS® (*)	SAD-D90 + EC-PA-DQ	

* SIEMENS®: valid for family Solution Line.

LA series

LINEAR



Specially designed for high performance environment requiring speed and accuracy.

Their special mounting system guarantees a thermal behavior identical to that of the machine surface the linear encoder is mounted on. This is achieved through floating fixtures at their ends with the base of the machine and by tensioning the etched steel tape. This system eliminates the errors caused by temperature changes and ensures maximum accuracy and repeatability of the linear encoders.

The steel tape graduation pitch is 0.04 mm. Measuring lengths over 4 040 mm require the use of modules.

Model description:

- LA: Absolute linear encoders with SSI protocol for FAGOR and others.
- LAS: Absolute linear encoders with SSI protocol for SIEMENS® (Solution Line).
- LAF: Absolute linear encoders with FANUC® (01 and 02) protocol.
- LAM: Absolute linear encoders with MITSUBISHI® CNC protocol.
- LAP: Absolute linear encoders with PANASONIC® (Matsushita) protocol.
- LAD: Absolute linear encoders with FeeDat protocol for FAGOR and others.
- LAD + EC-PA-DQ: Linear and absolute encoders with DRIVE-CLiQ® protocol, for SIEMENS® (Solution Line).

Measuring lengths in millimeters

- Available in measuring lengths from 440 mm to 50 m in 200 mm increments. Contact Fagor Automation for custom solutions if your application requires longer lengths.

Characteristics

	LA / LAS	LAF	LAM	LAP	LAD	LAD+ EC-PA-DQ
Measurement	Incremental: By means of a 40 µm-pitch stainless steel tape Absolute: Optical reading of sequential binary code					
Steel tape thermal expansion coefficient	α_{therm} : 11 ppm/K aprox.					
Measuring resolution	0.1 µm / 1 µm	0.01 µm 0.05 µm	0.01 µm 0.05 µm	0.01 µm 0.05 µm	0.01 µm 0.05 µm	0.01 µm 0.05 µm
Output signals	~ 1 Vpp	–	–	–	–	–
Incremental signal period	40 µm	–	–	–	–	–
Limit frequency	< 50 KHz for 1 Vpp	–	–	–	–	–
Maximum cable length	100 m	30 m	30 m	30 m	100 m	30 m
Supply voltage	5V ± 10%, 250 mA (without load)					
Steel tape accuracy	± 5 µm/m	± 5 µm/m	± 5 µm/m	± 5 µm/m	± 5 µm/m	± 5 µm/m
Maximum speed	120 m/min	180 m/min 120 m/min	180 m/min 120 m/min	180 m/min 120 m/min	180 m/min	180 m/min
Maximum vibration	10 g					
Maximum shock	30 g (11 ms) IEC 60068-2-27					
Maximum acceleration	10 g in the measuring direction					
Required moving force	< 5 N					
Operating temperature	0 °C ... 50 °C					
Storage temperature	-20 °C ... 70 °C					
Weight	1.50 kg + 4 kg/m					
Relative humidity	20 ... 80%					
Protection	IP 53 (standard) IP 64 (DIN 40050) using pressurized air at 0.8 ± 0.2 bar in linear encoders					
Reader head	With built-in connector Connection at both ends of the reader head					

GA series

LINEAR



Specially designed for high performance environment requiring high speed and accuracy.

The TDMS™ mounting system ensures greater accuracy, higher repeatability and ability to withstand vibrations without compromising machine performance.

Measuring lengths in millimeters

140 • 240 • 340 • 440 • 540 • 640 • 740 • 840 • 940
 1040 • 1140 • 1240 • 1340 • 1440 • 1540 • 1640
 1740 • 1840 • 2040 • 2240 • 2440 • 2640 • 2840 • 3040

Model description:

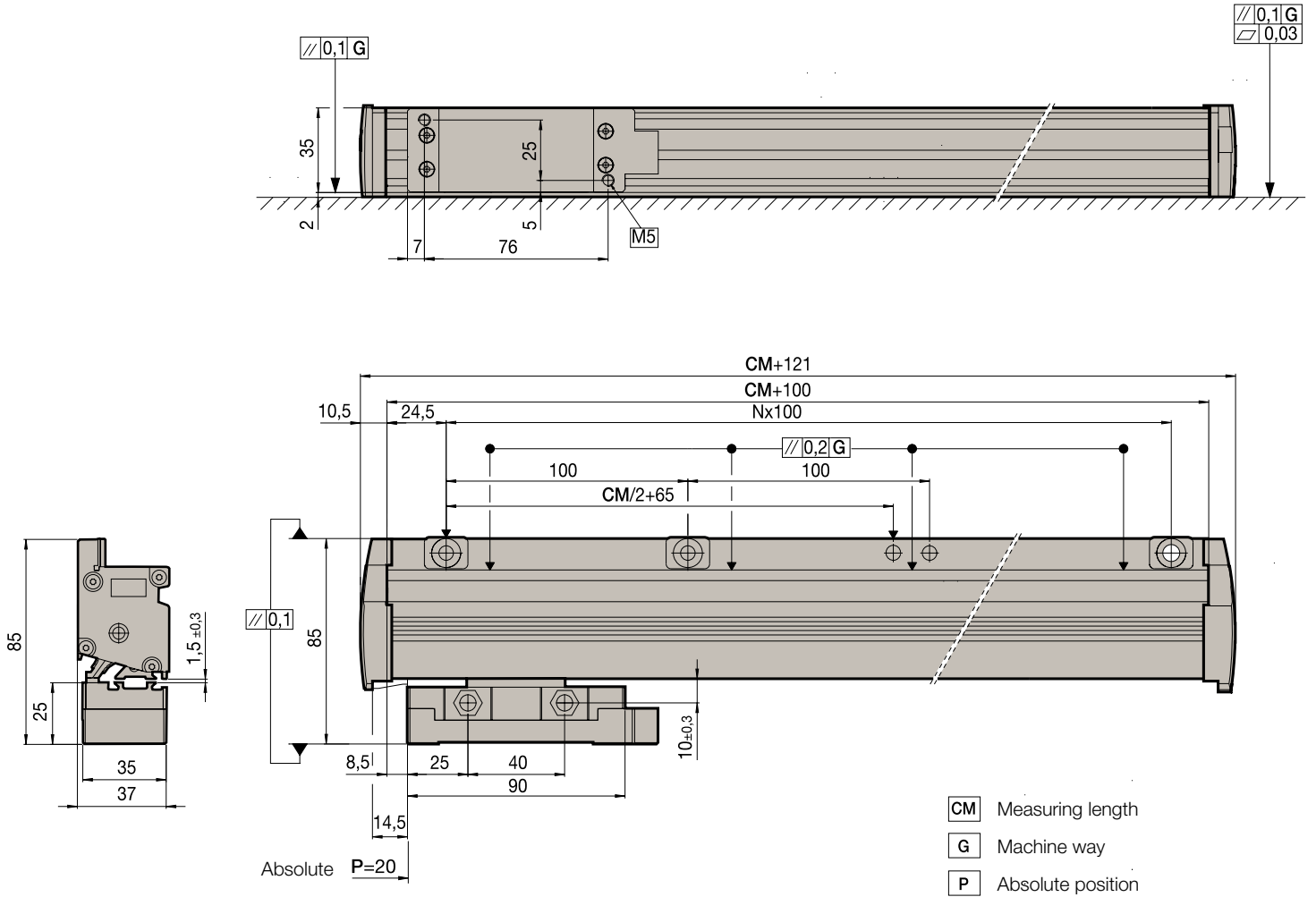
- GAs: Absolute linear encoders with SSI protocol for FAGOR and others.
- GAS: Absolute linear encoders with SSI protocol for SIEMENS® (Solution Line).
- GAF: Absolute linear encoders with FANUC® (01 and 02) protocol.
- GAM: Absolute linear encoders with MITSUBISHI® CNC protocol.
- GAP: Absolute linear encoders with PANASONIC® (Matsushita) protocol.
- GAD: Absolute linear encoders with FeeDat protocol for FAGOR and others.
- GAD + EC-PA-DQ: Linear and absolute encoders with DRIVE-CLiQ® protocol, for SIEMENS® (Solution Line).

Characteristics

	GA / GAS	GAF	GAM	GAP	GAD	GAD+ EC-PA-DQ
Measurement	Incremental: By means of a 20 µm-pitch stainless steel tape Absolute: Optical reading of sequential binary code					
Glass thermal expansion coefficient	α_{therm} : 8 ppm/K aprox.					
Measuring resolution	0.1 µm	0.01 µm 0.05 µm	0.01 µm 0.05 µm	0.01 µm 0.05 µm	0.01 µm 0.05 µm	0.01 µm 0.05 µm
Output signals	~ 1 Vpp	–	–	–	–	–
Incremental signal period	20 µm	–	–	–	–	–
Limit frequency	< 100 KHz for 1 Vpp	–	–	–	–	–
Maximum cable length	100 m	30 m	30 m	30 m	100 m	30 m
Supply voltage	5V ± 10%, 250 mA (without load)					
Accuracy	± 5 µm/m ± 3 µm/m	± 5 µm/m ± 3 µm/m	± 5 µm/m ± 3 µm/m	± 5 µm/m ± 3 µm/m	± 5 µm/m ± 3 µm/m	± 5 µm/m ± 3 µm/m
Maximum speed	120 m/min	180 m/min 120 m/min	180 m/min 120 m/min	180 m/min 120 m/min	180 m/min	180 m/min
Maximum vibration	20 g (55 ... 2000 Hz) IEC 60068-2-6					
Maximum shock	30 g (11 ms) IEC 60068-2-27					
Maximum acceleration	10 g in the measuring direction					
Required moving force	< 5 N					
Operating temperature	0 °C ... 50 °C					
Storage temperature	-20 °C ... 70 °C					
Weight	0.25 kg + 2.25 kg/m					
Relative humidity	20 ... 80%					
Protection	IP 53 (standard) IP 64 (DIN 40050) using pressurized air at 0.8 ± 0.2 bar in linear encoders					
Reader head	With built-in connector Connection at both ends of the reader head					

GA model

Dimensions in mm



Order identification

Example of Linear Encoder: **GAF10-1640-5-A**

G	A	F	10	1640	5	A
Type of profile for long space	Letter identifying the absolute encoder	Type of communications protocol:	Resolution:	Measuring lengths in millimeters:	Accuracy of the linear encoder:	Air intake on the reader head:
		<ul style="list-style-type: none"> Blank space: SSI protocol (FAGOR) D: FeeDat protocol (FAGOR) S: SIE MENS® (SL) protocol F: FANUC® (01 and 02) protocol M: MITSUBISHI® CNC protocol P: PANASONIC® (Matsushita) protocol 	<ul style="list-style-type: none"> Blank space: 50 nm 50: 50 nm (*) 10: 10 nm 	<ul style="list-style-type: none"> In the example (1640) = 1640 mm 	<ul style="list-style-type: none"> 5: ± 5 μm 3: ± 3 μm 	<ul style="list-style-type: none"> Blank space: Without air intake A: With air intake

(*): identificador sólo para Protocolo FeeDat GAD50



Specially designed for high performance environment requiring high speed and accuracy. Ideal for limited mounting spaces.

Measuring lengths in millimeters

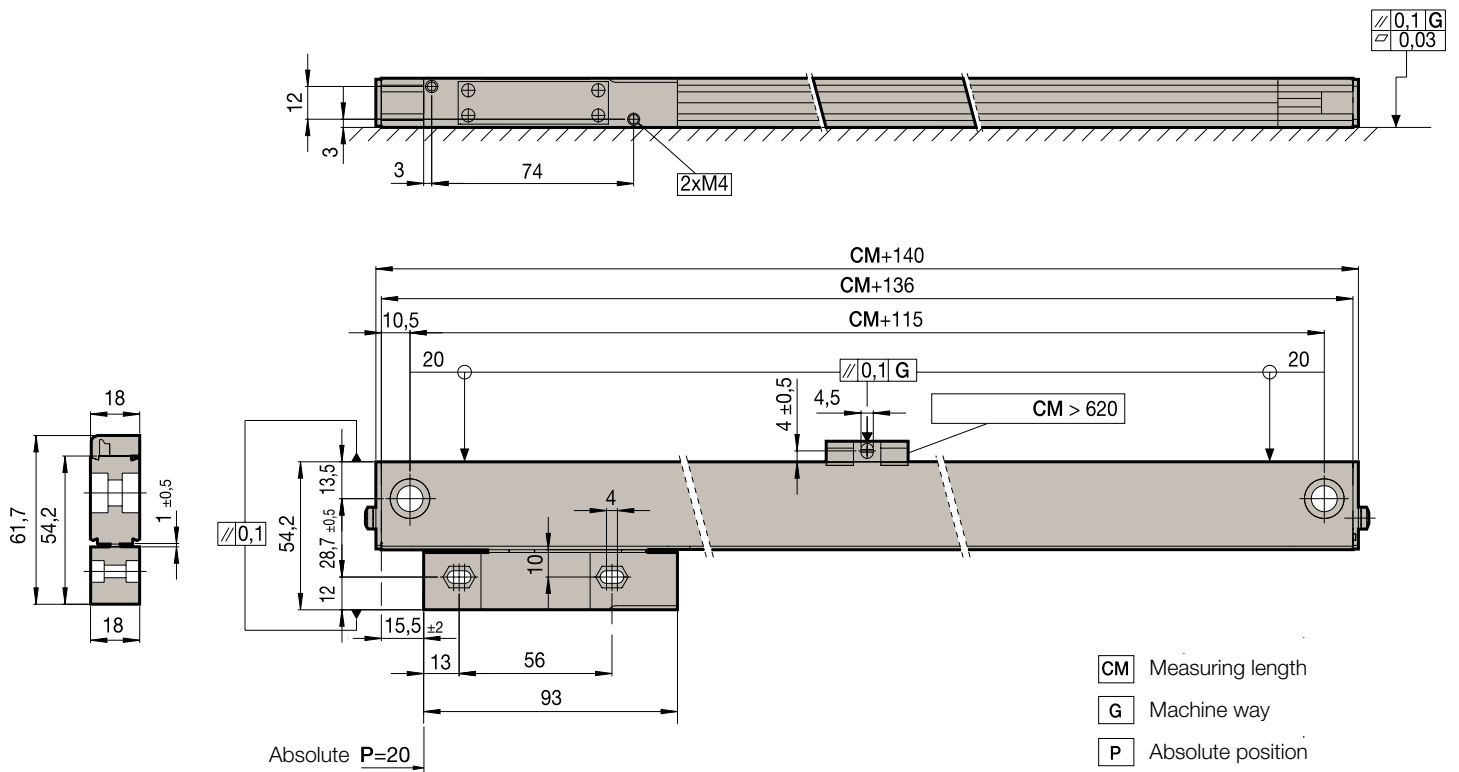
70 • 120 • 170 • 220 • 270 • 320 • 370 • 420 • 470 • 520
570 • 620 • 670 • 720 • 770 • 820 • 870 • 920 • 1 020
1 140 • 1 240

Model description:

- SA: Absolute linear encoders with SSI protocol for FAGOR and others.
 SAS: Absolute linear encoders with SSI protocol for SIEMENS® (Solution Line).
 SAF: Absolute linear encoders with FANUC® (01 and 02) protocol.
 SAM: Absolute linear encoders with MITSUBISHI® CNC protocol.
 SAP: Absolute linear encoders with PANASONIC® (Matsushita) protocol.
 SAD: Absolute linear encoders with FeeDat protocol for FAGOR and others.
 SAD + EC-PA-DQ: Linear and absolute encoders with DRIVE-CLiQ® protocol , for SIEMENS® (Solution Line).

Characteristics

	SA / SAS	SAF	SAM	SAP	SAD	SAD+ EC-PA-DQ
Measurement	Incremental: By means of a 20 µm-pitch stainless steel tape Absolute: Optical reading of sequential binary code					
Glass thermal expansion coefficient	α_{therm} : 8 ppm/K aprox.					
Measuring resolution	0.1 µm	0.01 µm 0.05 µm	0.01 µm 0.05 µm	0.01 µm 0.05 µm	0.01 µm 0.05 µm	0.01 µm 0.05 µm
Output signals	~ 1 Vpp	–	–	–	–	–
Incremental signal period	20 µm	–	–	–	–	–
Limit frequency	< 100 KHz for 1 Vpp	–	–	–	–	–
Maximum cable length	100 m	30 m	30 m	30 m	100 m	30 m
Supply voltage	5V ± 10%, 250 mA (without load)					
Accuracy	± 5 µm/m ± 3 µm/m	± 5 µm/m ± 3 µm/m	± 5 µm/m ± 3 µm/m	± 5 µm/m ± 3 µm/m	± 5 µm/m ± 3 µm/m	± 5 µm/m ± 3 µm/m
Maximum speed	120 m/min	180 m/min 120 m/min	180 m/min 120 m/min	180 m/min 120 m/min	180 m/min	180 m/min
Maximum vibration	10 g without mounting plate					
Maximum shock	30 g (11 ms) IEC 60068-2-27					
Maximum acceleration	10 g in the measuring direction					
Required moving force	< 4 N					
Operating temperature	0 °C ... 50 °C					
Storage temperature	-20 °C ... 70 °C					
Weight	0.20 kg + 0.50 kg/m					
Relative humidity	20 ... 80%					
Protection	IP 53 (standard) IP 64 (DIN 40050) using pressurized air at 0.8 ± 0.2 bar in linear encoders					
Reader head	With built-in connector					



Order identification

Example of Linear Encoder: **SAF10 - 420 - 5 - A**

S	A	F	10	420	5	A
<p>Type of profile for reduced space:</p> <ul style="list-style-type: none"> S: Standard mounting for vibrations of up to 10 g 	<p>Letter identifying the absolute encoder</p>	<p>Type of communications protocol:</p> <ul style="list-style-type: none"> Blank space: SSI protocol (FAGOR) D: FeeDat protocol (FAGOR) S: SIEMENS® (SL) protocol F: FANUC® (01 and 02) protocol M: MITSUBISHI® CNC protocol P: PANASONIC® (Matsushita) protocol 	<p>Resolution:</p> <ul style="list-style-type: none"> Blank space: 50 nm 50: 50 nm (*) 10: 10 nm 	<p>Measuring lengths in millimeters:</p> <p>In the example (420) = 420 mm</p>	<p>Accuracy of the linear encoder:</p> <ul style="list-style-type: none"> 5: ± 5 µm 3: ± 3 µm 	<p>Air intake on the reader head:</p> <ul style="list-style-type: none"> Blank space: Without air intake A: With air intake

(*): identificador sólo para Protocolo FeeDat SAD50

SVA series

LINEAR



Specially designed for high performance environment requiring high speed and accuracy and the need to withstand higher vibrations.

The TDMS™ mounting system incorporated through a separate back bar ensures greater accuracy, higher repeatability and ability to withstand vibrations without compromising machine performance.

Measuring lengths in millimeters

70 • 120 • 170 • 220 • 270 • 320 • 370 • 420 • 470 • 520
 570 • 620 • 670 • 720 • 770 • 820 • 870 • 920 • 1 020
 1 140 • 1 240 • 1 340 • 1 440 • 1 540 • 1 640 • 1 740
 1 840 • 2 040

Model description:

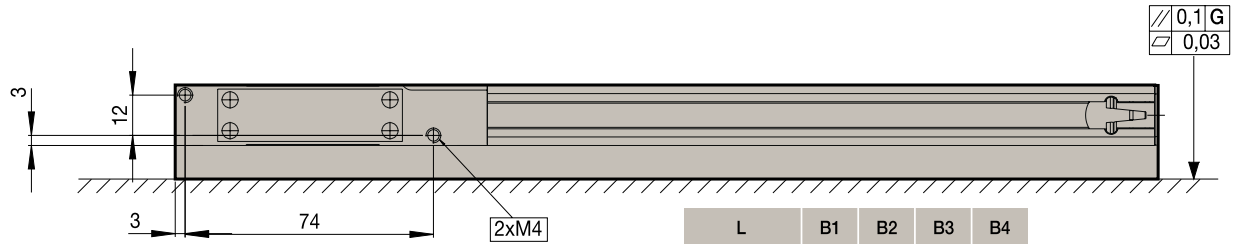
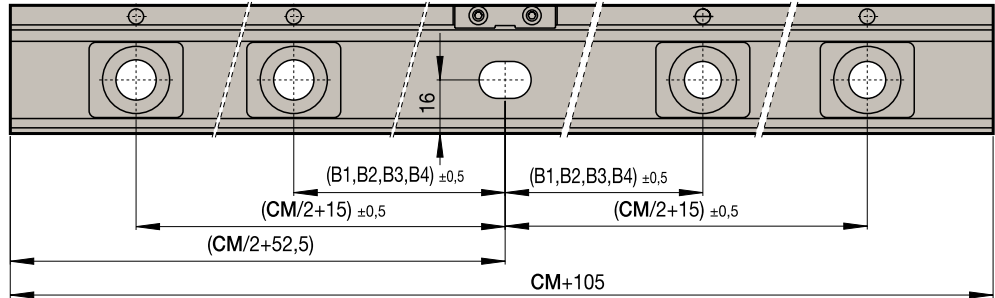
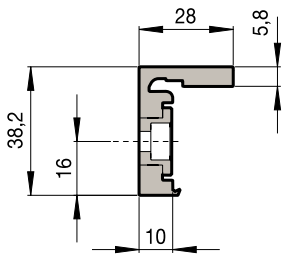
- SA: Absolute linear encoders with SSI protocol for FAGOR and others.
- SVAS: Absolute linear encoders with SSI protocol for SIEMENS® (Solution Line).
- SVAF: Absolute linear encoders with FANUC® (01 and 02) protocol.
- SVAM: Absolute linear encoders with MITSUBISHI® CNC protocol.
- SVAP: Absolute linear encoders with PANASONIC® (Matsushita) protocol.
- SVAD: Absolute linear encoders with FeeDat protocol for FAGOR and others.
- SVAD + EC-PA-DQ: Linear and absolute encoders with DRIVE-CLiQ® protocol, for SIEMENS® (Solution Line).

Characteristics

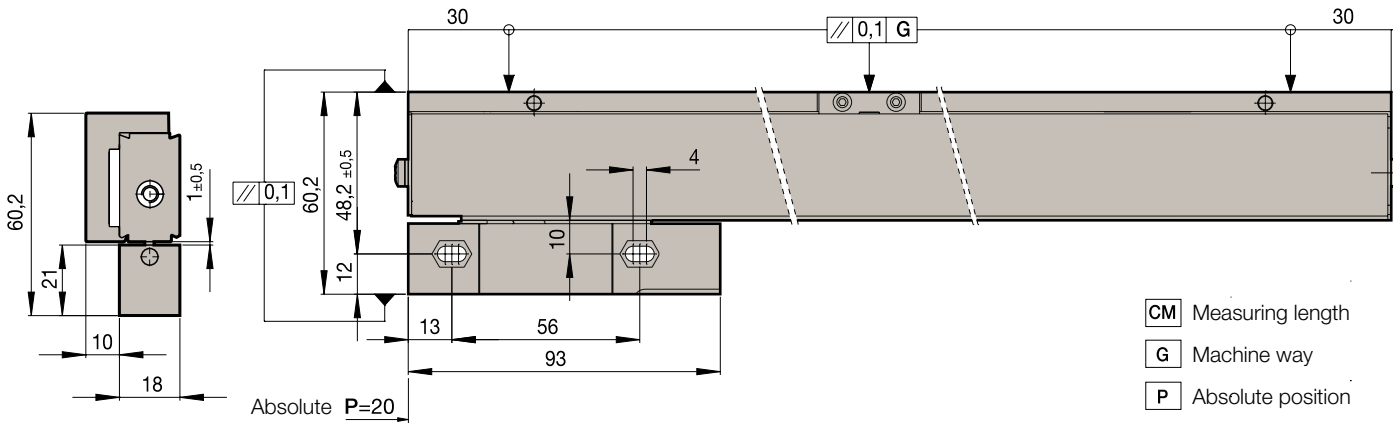
	SVA / SVAS	SVAF	SVAM	SVAP	SVAD	SVAD+ EC-PA-DQ
Measurement	Incremental: By means of a 20 µm-pitch stainless steel tape Absolute: Optical reading of sequential binary code					
Glass thermal expansion coefficient	α_{therm} : 8 ppm/K aprox.					
Measuring resolution	0.1 µm	0.01 µm 0.05 µm	0.01 µm 0.05 µm	0.01 µm 0.05 µm	0.01 µm 0.05 µm	0.01 µm 0.05 µm
Output signals	~ 1 Vpp	–	–	–	–	–
Incremental signal period	20 µm	–	–	–	–	–
Limit frequency	< 100 KHz for 1 Vpp	–	–	–	–	–
Maximum cable length	100 m	30 m	30 m	30 m	100 m	30 m
Supply voltage	5V ± 10%, 250 mA (without load)					
Accuracy	± 5 µm/m ± 3 µm/m	± 5 µm/m ± 3 µm/m	± 5 µm/m ± 3 µm/m	± 5 µm/m ± 3 µm/m	± 5 µm/m ± 3 µm/m	± 5 µm/m ± 3 µm/m
Maximum speed	120 m/min	180 m/min 120 m/min	180 m/min 120 m/min	180 m/min 120 m/min	180 m/min	180 m/min
Maximum vibration	20 g with mounting plate					
Maximum shock	30 g (11 ms) IEC 60068-2-27					
Maximum acceleration	10 g in the measuring direction					
Required moving force	< 4 N					
Operating temperature	0 °C ... 50 °C					
Storage temperature	-20 °C ... 70 °C					
Weight	0.25 kg + 1.55 kg/m					
Relative humidity	20 ... 80%					
Protection	IP 53 (standard) IP 64 (DIN 40050) using pressurized air at 0.8 ± 0.2 bar in linear encoders					
Reader head	With built-in connector					

SVA model

Dimensions in mm



L	B1	B2	B3	B4
70 - 520	-	-	-	-
570 - 920	200	-	-	-
1020 - 1340	200	400	-	-
1440 - 1740	200	400	600	-
1840 - 2040	200	400	600	800



- CM** Measuring length
- G** Machine way
- P** Absolute position

Order identification

Example of Linear Encode: **SVAF10 - 420 - 5 - B - A**

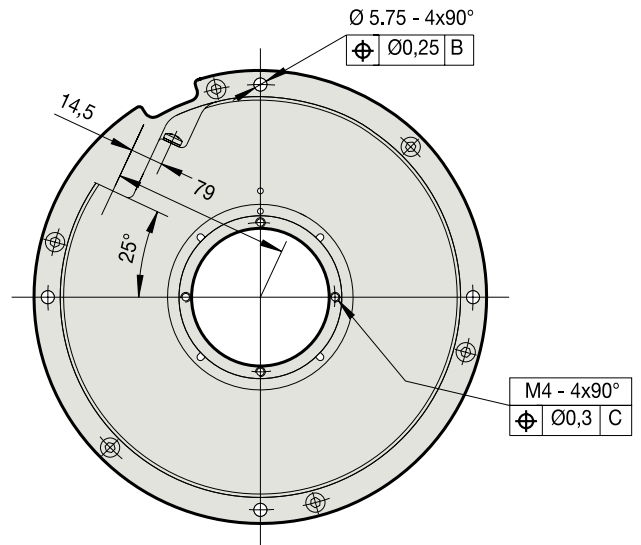
SV	A	F	10	420	5	B	A
Type of profile for reduced spaces: • SV: Vibration mounting for up to 20 g	Letter identifying the absolute encoder	Type of communications protocol: • Blank space: SSI protocol (FAGOR) • D: FeeDat protocol (FAGOR) • S: SIEMENS® (SL) protocol • F: FANUC® (01 and 02) protocol • M: MITSUBISHI® CNC protocol • P: PANASONIC® (Matsushita) protocol	Resolution: • Blank space: 50 nm 50: 50 nm (*) 10: 10 nm	Measuring lengths in millimeters: In the example (420) = 420 mm	Accuracy of the linear encoder: • 5: ± 5 µm • 3: ± 3 µm	Linear encoder with mounting support: • B: With mounting support for vibrations of up to 20 g	Air intake on the reader head: • Blank space: Without air intake • A: With air intake

(*): identificador sólo para Protocolo FeeDat SVAD50

HA-D200 series

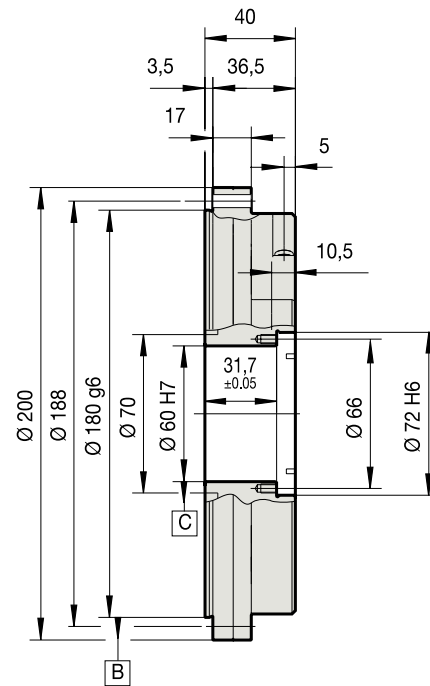
ANGULAR

Dimensions in mm



General characteristics

Measurement	By means of graduated glass disk
Accuracy	$\pm 2''$ and $\pm 1''$
Number of pulses/turn	27 bits (134 217 728 positions) 1 Vpp (32 768 pulses/turn)
Vibration	100 m/s ² (55 ÷ 2000 Hz) IEC 60068-2-6
Natural frequency	≥ 1000 Hz
Shock	1 000 m/s ² (6 ms) IEC 60068-2-27
Inertia	10 000 gr. cm ²
Maximum mechanical speed	1 000 rpm
Maximum electrical speed	300 rpm (SSI Fagor, SSI Siemens®) 750 rpm (FeeDat Fagor, DRIVE-CLiQ® Siemens®, Fanuc®, Mitsubishi®, Panasonic®)
Turning torque	≤ 0.5 Nm
Weight	3.2 kg
Ambient characteristics:	
Running temperature	0 °C...+50 °C
Storage temperature	-30 °C...+80 °C
Protection	IP64 (DIN 40050) standard > IP64 with pressurized air at 0.8 ± 0.2 bar
Maximum frequency	180 KHz for 1 Vpp signal
Current under no load condition	Maximum 350 mA
Supply voltage	5 V (3.6...5.25)
Output signals	1 Vpp (32 768 pulses/turn) Differential TTL: EIA RS 485 / EIA RS 422
Maximum cable length	100 m (SSI Fagor, FeeDat Fagor, SSI Siemens®) 30 m (DRIVE-CLiQ®, Siemens®, Fanuc®, Mitsubishi®, Panasonic®)



Order identification

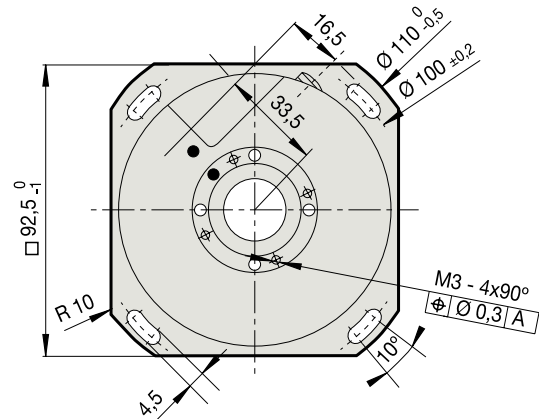
Example of Angular Encoder: **HAF-27-D200-2**

H	A	F	27	D200	2
Type of shaft: • H: Hollow shaft	Letter identifying the absolute encoder	Type of communications protocol: • Blank space: SSI protocol (FAGOR) • D: FeeDat protocol (FAGOR) • S: SIEMENS® (SL) protocol • F: FANUC® (01 and 02) protocol • M: MITSUBISHI® CNC protocol • P: PANASONIC® (Matsushita) protocol	Absolute positions per turn: • 27 bits (134 217 728 positions)	Outside diameter: • D200: 200 mm	Accuracy: • 2: $\pm 2''$ arc-seconds • 1: $\pm 1''$ arc-seconds

HA-D90 series

ANGULAR

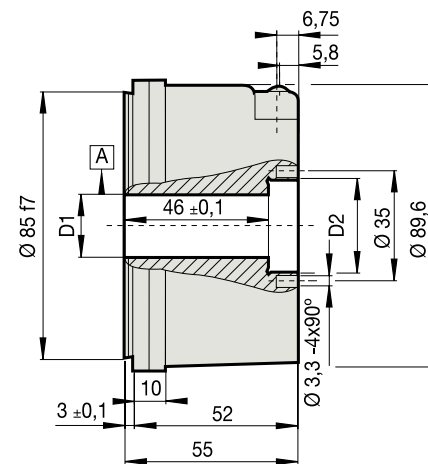
Dimensions in mm



Accuracy	± 2.5"	± 5"
D1	Ø 20 H6	Ø 20 H7
D2	Ø 30 H6	Ø 30 H7

General characteristics

Measurement	By means of graduated glass disk
Accuracy	± 5" and ± 2.5"
Number of pulses/turn	23 bits (8 388 608 positions) 27 bits (134 217 728 positions) 1 Vpp (16 384 pulses/turn)
Vibration	100 m/sec ² (55 ÷ 2000 Hz) IEC 60068-2-6
Natural frequency	≥ 1 000 Hz
Shock	1 000 m/sec ² (6 ms) IEC 60068-2-27
Inertia	650 gr.cm ²
Maximum mechanical speed	3 000 rpm
Maximum electrical speed	1 500 rpm
Turning torque	≤ 0.08 Nm
Weight	1 kg
Ambient characteristics:	
Running temperature	-20 °C... +70 °C (5"), 0 °C... +50 °C (2.5")
Storage temperature	-30 °C... +80 °C
Protection	IP64 (DIN 40050) standard >IP64 with pressurized air at 0.8 ± 0.2 bar
Maximum frequency	180 KHz for 1 Vpp signal
Current under no load condition	Maximum 150 mA
Supply voltage	5 V (3.6...5.25)
Output signals	1 Vpp (16 384 pulses/turn) Differential TTL: EIA RS 485 / EIA RS 422
Maximum cable length	100 m (SSI Fagor, FeeDat Fagor, SSI Siemens®) 30 m (DRIVE-CLiQ®, Siemens®, Fanuc®, Mitsubishi®, Panasonic®)



Order identification

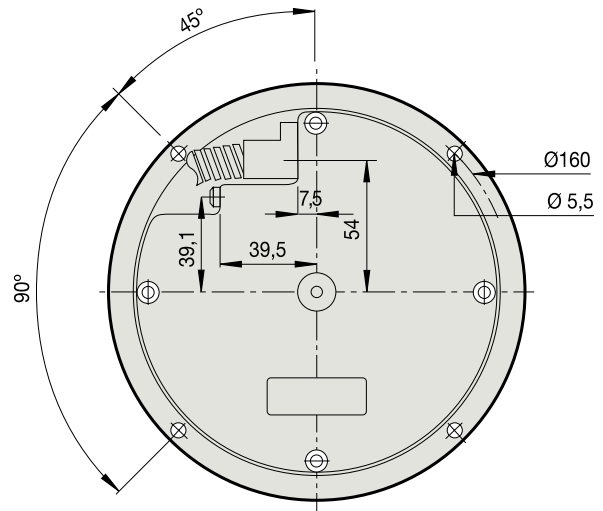
Example of Angular Encoder: **HAF-27-D90-2**

H	A	F	27	D90	2
Type of shaft: • H: Hollow shaft	Letter identifying the absolute encoder	Type of communications protocol: • Blank space: SSI protocol (FAGOR) • D: FeeDat protocol (FAGOR) • S: SIEMENS® (SL) protocol • F: FANUC® (01 and 02) protocol • M: MITSUBISHI® CNC protocol • P: PANASONIC® (Matsushita) protocol	Absolute positions per turn: • 23 bits (8 388 608 positions) • 27 bits (134 217 728 positions)	Outside diameter: • D90: 90 mm	Accuracy: • Blank space: ±5" arc-seconds • 2: ±2.5" arc-seconds

SA-D170 series

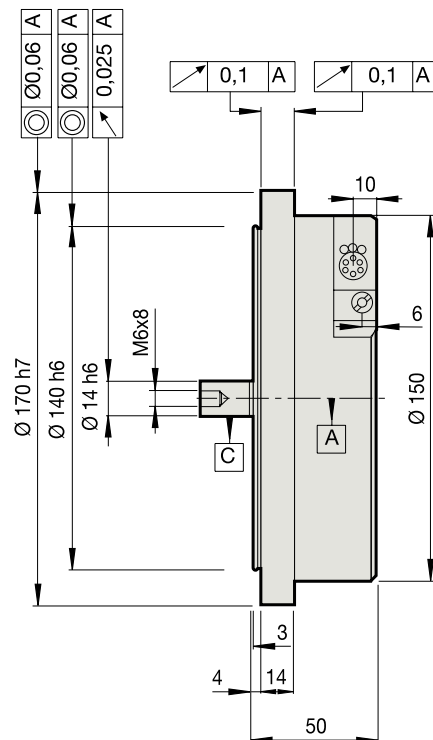
ANGULAR

Dimensions in mm



General characteristics

Measurement	By means of graduated glass disk
Accuracy	± 2"
Number of pulses/turn	23 bits (8 388 608 positions) 27 bits (134 217 728 positions) 1 Vpp (16 384 pulses/ turn)
Vibration	100 m/sec ² (55 ÷ 2000 Hz) IEC 60068-2-6
Shock	1 000 m/sec ² (6 ms) IEC-60068-2-27
Inertia	350 gr.cm ²
Maximum mechanical speed	3 000 rpm
Maximum electrical speed	1 500 rpm
Turning torque	≤ 0,01 Nm
Load on the shaft	Axial: 1 kg Radial: 1 kg
Weight	2.65 kg
Ambient characteristics:	
Running temperature	0 °C...+50 °C
Storage temperature	-30 °C...+80 °C
Protection	IP64 (DIN 40050) standard >IP64 with pressurized air at 0.8 ± 0.2 bar
Maximum frequency	180 KHz for 1 Vpp signal
Current under no load condition	Maximum 250 mA
Supply voltage	5 V (3.6...5.25)
Signales de salida	1 Vpp (16 384 pulses/turn) Differential TTL: EIA RS 485 / EIA RS 422
Maximum cable length	100 m (SSI Fagor, FeeDat Fagor, SSI Siemens®) 30 m (DRIVE-CLiQ®, Siemens®, Fanuc®, Mitsubishi®, Panasonic®)

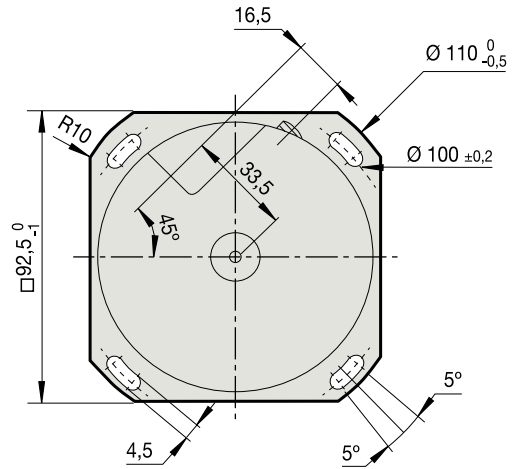


Order identification

Example of Angular Encoder: **SAF-27-D170-2**

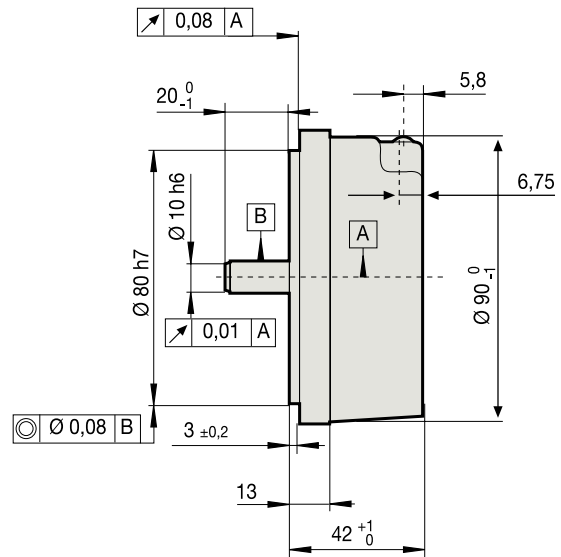
S	A	F	27	D170	2
Type of shaft • S: Solid shaft	Letter identifying the absolute encoder	Type of communications protocol: • Blank space: SSI protocol (FAGOR) • D: FeeDat protocol (FAGOR) • S: SIEMENS® (SL) protocol • F: FANUC® (01 and 02) protocol • M: MITSUBISHI® CNC protocol • P: PANASONIC® (Matsushita) protocol	Absolute positions per turn: • 23 bits (8 388 608 positions) • 27 bits (134 217 728 positions)	Outside diameter: • D170: 170 mm	Accuracy: • 2: ±2" arc-seconds

SA-D90 series



General characteristics

Measurement	By means of graduated glass disk
Accuracy	± 5" and ± 2.5"
Number of pulses/turn	23 bits (8 388 608 positions) 27 bits (134 217 728 positions) 1 Vpp (16 384 pulses/ turn)
Vibration	100 m/seg ² (55 ÷ 2000 Hz) IEC 60068-2-6
Shock	1 000 m/seg ²
Inertia	250 gr.cm ²
Maximum mechanical speed	10 000 rpm
Maximum electrical speed	1 500 rpm
Turning torque	≤ 0.01 Nm
Load on the shaft	Axial: 1 kg Radial: 1 kg
Weight	0.8 kg
Ambient characteristics:	
Running temperature	-20 °C... +70 °C (5"), 0 °C...+50 °C (2.5")
Storage temperature	-30 °C...+80 °C
Protection	IP64 (DIN 40050) standard >IP64 with pressurized air at 0.8 ± 0.2 bar
Maximum frequency	180 KHz for 1 Vpp signal
Current under no load condition	Maximum 150 mA
Supply voltage	5 V (3.6...5.25)
Signales de salida	1 Vpp (16 384 pulses/turn) Differential TTL: EIA RS 485 / EIA RS 422
Maximum cable length	100 m (SSI Fagor, FeeDat Fagor, SSI Siemens®) 30 m (DRIVE-CLiQ®, Siemens®, Fanuc®, Mitsubishi®, Panasonic®)



Order identification

Example of Angular Encoder: **SAF-23-D90**

S	A	F	23	D90	
Type of shaft • S: Solid shaft	Letter identifying the absolute encoder	Type of communications protocol: • Blank space: SSI protocol (FAGOR) • D: FeeDat protocol (FAGOR) • S: SIEMENS® (SL) protocol • F: FANUC® (01 and 02) protocol • M: MITSUBISHI® CNC protocol • P: PANASONIC® (Matsushita) protocol	Absolute positions per turn: • 23 bits (8 388 608 positions) • 27 bits (134 217 728 positions)	Outside diameter: • D90: 90 mm	Accuracy: • Blank space: ±5" arc-seconds • 2: ±2" arc-seconds

direct connection cables


SSI connection

UP TO 9 METERS

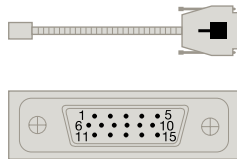
Connector for direct connection to Fagor

EC...B-D

Lengths: 1, 3, 6 and 9 meters

SUB D 15 HD connector (male Pin )

Pin	Signal	Color
1	A	Green
2	/A	Yellow
3	B	Blue
4	/B	Red
5	Data	Grey
6	/Data	Pink
7	Clock	Black
8	/Clock	Purple
9	+5 V	Brown
10	+5 V sensor	Light green
11	0 V	White
12	0 V sensor	Orange
15	Ground	Internal shield
Housing	Ground	External shield



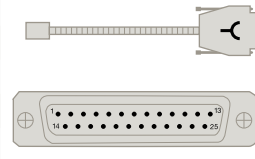
Connector for direct connection to Siemens® SMC20

EC-...B-S1

Lengths: 1, 3, 6 and 9 meters

SUB D 25 connector (female Pin )

Pin	Signal	Color
3	A	Green
4	/A	Yellow
6	B	Blue
7	/B	Red
15	Data	Grey
23	/Data	Pink
10	Clock	Black
12	/Clock	Purple
1	+5 V	Brown
14	+5 V sensor	Light green
2	0 V	White
16	0 V sensor	Orange
5	Ground	Internal shield
Housing	Ground	External shield



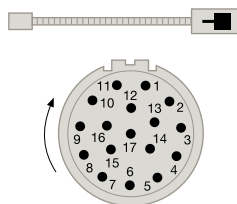
Connector for direct connection to Siemens® SME25

EC...B-C9

Lengths: 1, 3, 6 and 9 meters

CIRCULAR 17 connector (male Pin )

Pin	Signal	Color
15	A	Green
16	/A	Yellow
12	B	Blue
13	/B	Red
14	Data	Grey
17	/Data	Pink
8	Clock	Black
9	/Clock	Purple
7	+5 V	Brown
1	+5 V sensor	Light green
10	0 V	White
4	0 V sensor	Orange
11	Ground	Internal shield
Housing	Ground	External shield



FROM 9 METERS ON

To FAGOR: EC-...B-C9 cable + XC-C8-...F-D extension cable

To Siemens® SMC20: EC-...B-C9 cable + XC-C8-...F-S1 extension cable

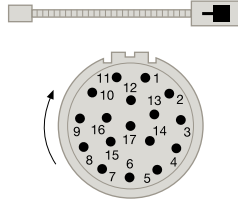
To Siemens® SME25: EC-...B-C9 cable + XC-C8-...F-C9 extension cable

EC...B-C9

Lengths: 1 and 3 meters

(consult Fagor Automation for others)

Pin	Signal	Color
15	A	Green
16	/A	Yellow
12	B	Blue
13	/B	Red
14	Data	Grey
17	/Data	Pink
8	Clock	Black
9	/Clock	Purple
7	+5 V	Brown
1	+5 V sensor	Light green
10	0 V	White
4	0 V sensor	Orange
11	Ground	Internal shield
Housing	Ground	External shield



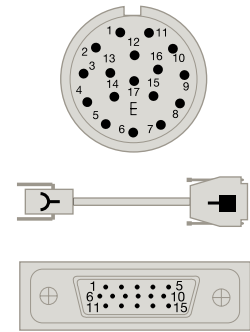
XC-C8-...F-D extension cable

Lengths: 5, 10, 15, 20 and 25 meters

CIRCULAR 17 connector (female Pin ⤴)

SUB D 15 HD connector (male Pin ⬤)

Pin	Pin	Signal	Color
15	1	A	Green-Black
16	2	/A	Yellow-Black
12	3	B	Blue-Black
13	4	/B	Red-Black
14	5	Data	Grey
17	6	/Data	Pink
8	7	Clock	Purple
9	8	/Clock	Yellow
7	9	+5 V	Brown/Green
1	10	+5 V sensor	Blue
10	11	0 V	White/Green
4	12	0 V sensor	White
11	15	Ground	Internal shield
Housing	Housing	Ground	External shield



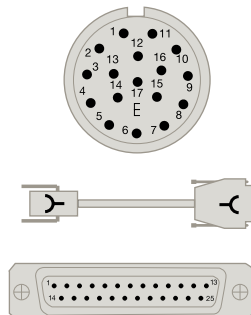
XC-C8-...F-S1 extension cable

Lengths: 5, 10, 15, 20 and 25 meters

CIRCULAR 17 connector (female Pin ⤴)

SUB D25 connector (female Pin ⤴)

Pin	Pin	Signal	Color
15	3	A	Green-Black
16	4	/A	Yellow-Black
12	6	B	Blue-Black
13	7	/B	Red-Black
14	15	Data	Grey
17	23	/Data	Pink
8	10	Clock	Purple
9	12	/Clock	Yellow
7	1	+5 V	Brown/Green
1	14	+5 V sensor	Blue
10	2	0 V	White/Green
4	16	0 V sensor	White
11	5	Ground	Internal shield
Housing	Housing	Ground	External shield



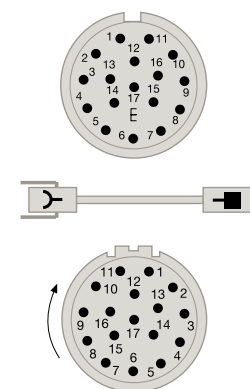
XC-C8-...F-C9 extension cable

Lengths: 5, 10, 15, 20 and 25 meters

CIRCULAR 17 connector (female Pin ⤴)

CIRCULAR 17 connector (male Pin ⬤)

Pin	Pin	Signal	Color
15	15	A	Green-Black
16	16	/A	Yellow-Black
12	12	B	Blue-Black
13	13	/B	Red-Black
14	14	Data	Grey
17	17	/Data	Pink
8	8	Clock	Purple
9	9	/Clock	Yellow
7	7	+5 V	Brown/Green
1	1	+5 V sensor	Blue
10	10	0 V	White/Green
4	4	0 V sensor	White
11	11	Ground	Internal shield
Housing	Housing	Ground	External shield



direct connection cables

Connection to other CNC's

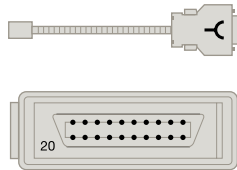
UP TO 9 METERS

Connector for direct connection to FANUC®

EC...PA-FN

Lengths: 1, 3, 6 and 9 meters

Pin	Signal	Color
1	Data	Green
2	/Data	Yellow
5	Request	Blue
6	/Request	Red
9	+5 V	Brown
18-20	+5 V sensor	Grey
12	0 V	White
14	0 V sensor	Pink
16	Ground	Shield

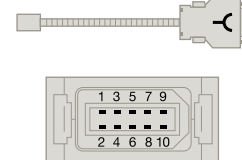


Connector for direct connection to MITSUBISHI®

EC...AM-MB

Lengths: 1, 3, 6 and 9 meters

Pin	Signal	Color
7	SD (MD)	Green
8	/SD (MD)	Yellow
3	RQ (MR)	Grey
4	/RQ (MR)	Pink
1	+5 V	Brown + purple
2	0 V	White + black + blue
Housing	Ground	Shield

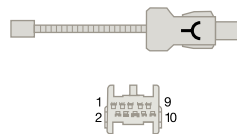


Connector for direct connection to Panasonic® MINAS A5

EC...PA-PN5

Lengths: 1, 3, 6 and 9 meters

Pin	Signal	Color
3	Data	Green
4	/Data	Yellow
1	+5 V	Brown and grey
2	0 V	White and pink
Housing	Ground	Shield



Connector for connection with extension cable (M12 H-RJ45) to Siemens® Sinamics/Sinumerik

EC...PA-DQ

Lengths: 1, 3, 6 and 9 meters

Pin	Signal
3	RXP
4	RXN
6	TXN
7	TXP
1	Vcc (24 V)
2	0 V



FROM 9 METERS ON

To Fanuc®: EC...B-C9 cable + XC-C8...FN extension cable

To Mitsubishi®: EC...B-C9-F cable + XC-C8...MB extension cable

To Panasonic® MINAS A5: EC...B-C9 cable + XC-C8...A-PN5 extension cable

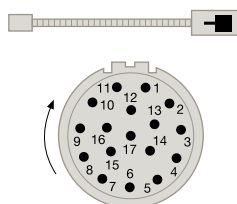
To Siemens®: EC...PA-DQ cable + (M12 H-RJ45) extension cable

EC...B-C9

Lengths: 1 and 3 meters

(consult Fagor Automation for others)

Pin	Signal	Color
14	Data	Grey
17	/Data	Pink
8	Request	Black
9	/Request	Purple
7	+5 V	Brown
1	+5 V sensor	Light green
10	0 V	White
4	0 V sensor	Orange
Housing	Ground	Shield

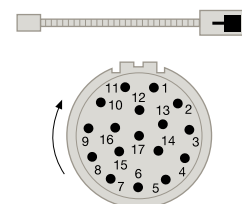


EC...B-C9-F

Lengths: 1 and 3 m with Ferrite

(consult Fagor Automation for others)

Pin	Signal	Color
14	Data	Grey
17	/Data	Pink
8	Request	Black
9	/Request	Purple
7	+5 V	Brown
1	+5 V sensor	Light green
10	0 V	White
4	0 V sensor	Orange
Housing	Ground	Shield



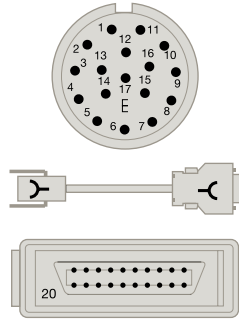
XC-C8... FN extension cable

Lengths: 5, 10, 15, 20 and 25 meters

CIRCULAR 17 connector (female Pin ⤴)

HONDA / HIROSE connector (female Pin ⤴)

Pin	Pin	Signal	Color
14	1	Data	Grey
17	2	/Data	Pink
8	5	Request	Purple
9	6	/Request	Yellow
7	9	+5 V	Brown/Green
1	18-20	+5 V sensor	Blue
10	12	0 V	White/Green
4	14	0 V sensor	White
Housing	16	Ground	Shield



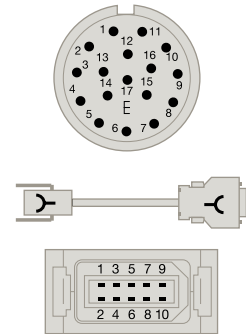
XC-C8... MB extension cable

Lengths: 5, 10, 15, 20 and 25 meters

CIRCULAR 17 connector (female Pin ⤴)

10-pin MOLEX/3M RECTANGULAR connector (female Pin ⤴)

Pin	Pin	Signal	Color
8	7	SD (MD)	Purple
9	8	/SD (MD)	Yellow
14	3	RQ (MR)	Grey
17	4	/RQ (MR)	Pink
7	1	+5 V	Brown/Green
1	-	+5 V sensor	Blue
10	2	GND	White/Green
4	-	0 V sensor	White
Housing	Housing	Ground	Shield



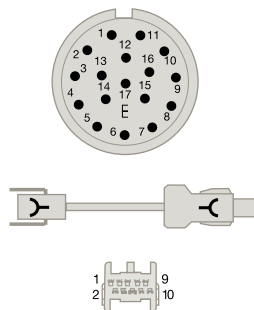
XC-C8...A-PN5 extension cable

Lengths: 5, 10, 15, 20 and 25 meters

CIRCULAR 17 connector (female Pin ⤴)

Panasonic 10 pin connector (female Pin ⤴)

Pin	Pin	Signal	Color
14	3	Data	Grey
17	4	/Data	Pink
7	1	+5 V	Brown+Black
1	1	+5 V sensor	Green+Yellow
10	2	GND	White+Purple
4	2	GND sensor	Blue+Red
Housing	Housing	Ground	Shield



Technology

The incremental encoders provide direct measure of machine position without using any intermediate device. The positioning errors originating from machine mechanics are minimized as the encoder is directly mounted to the machine surface and the guide ways. The encoder sends the real machine movement data to the CNC and mechanical errors caused due to thermal behavior of the machine, pitch error compensation and backlash etc. are minimized.

Measuring Methods

Fagor Automation uses two measuring methods in their incremental encoders:

- **Graduated glass:** Linear encoders with a measuring length of up to 3040 mm use optical transmission. The light from the LED goes through a graduated glass and a reticule before reaching the receiving photo diodes. The period of the generated electrical signals is the same as the graduation pitch.
- **Graduated steel:** Linear encoders over 3040 mm measuring length use graduated steel tape and image captured through diffused light as a measuring principle. The reading system consists of an LED as a light source, a mesh to make the image and a monolithic photo detector element in the plane of the image specially designed and patented by Fagor Automation.

Types of incremental encoders

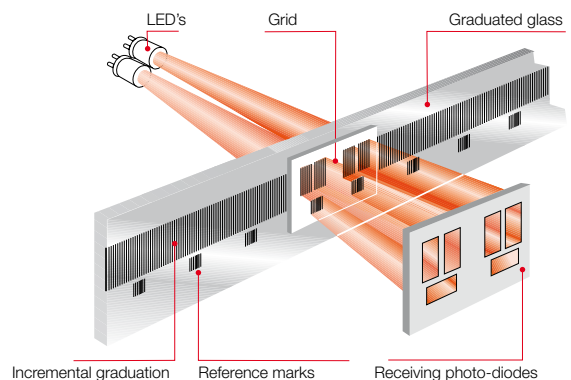
- **Linear encoder:** Ideal for milling, grinding, lathe and boring mill applications requiring federates of up to 120 m/min and vibrations of up to 20 g.
- **Angular encoder:** Used as an angular movement sensor on machines/devices requiring high resolution and accuracy. Fagor Angular encoders offer from 18000 to 360000 pulses/turn and accuracy levels of $\pm 5''$, $\pm 2.5''$ and $\pm 2''$ depending on the model.
- **Rotary encoder:** Used as a measuring sensor for rotary movements, angular speeds and also linear movement when connected to a mechanical device like ball screw. They are also used on various types of machine tools and robotic applications.

Enclosed design

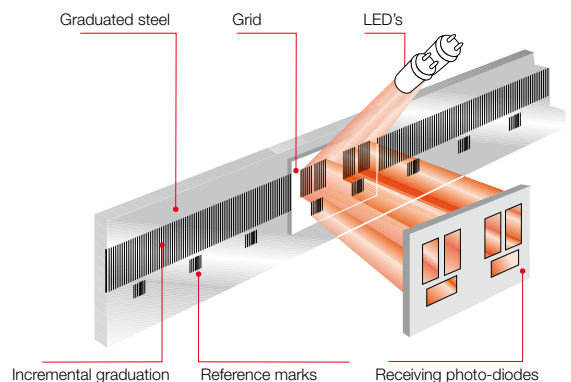
The robust aluminum profile encasing the graduated glass provides the primary protection. The sealing lips provides protection against contaminants and liquids as the reader head travels along the profile. The reader head movement along the graduated glass provides a perfectly balanced system accurately capturing the machine movement. The reader head travels on precision bearings with minimum contact with the profile hence minimizing the friction.

The optional air inlet at both ends of the encoder and at the reader head provides increased protection levels against contaminants and liquids.

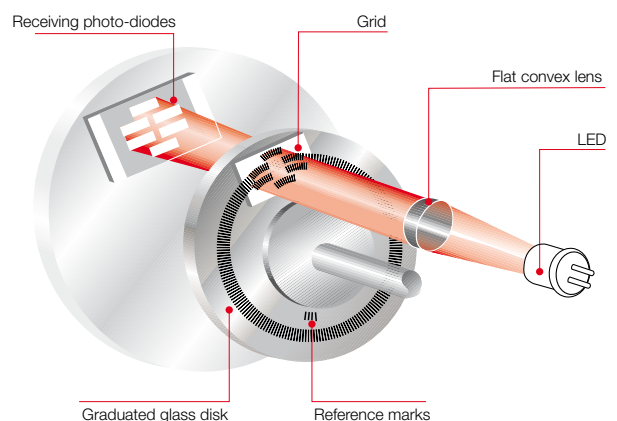
Graduated glass encoder

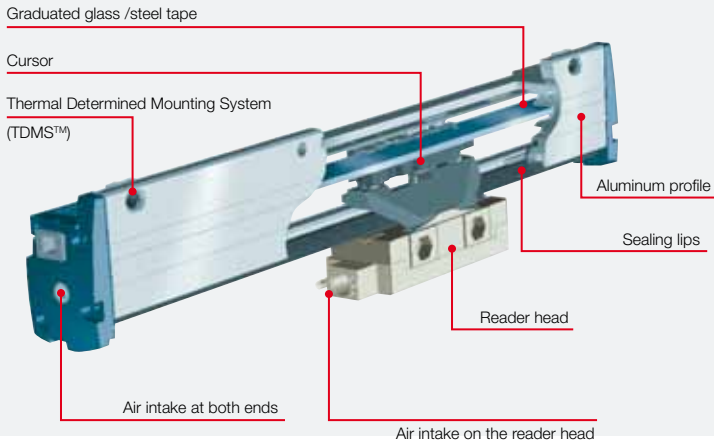


Graduated steel encoder



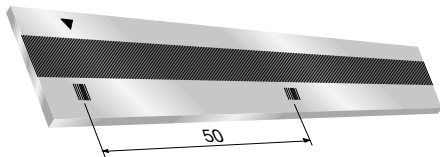
Graduated glass disk



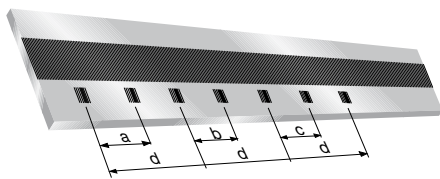


Linear encoder

Incremental

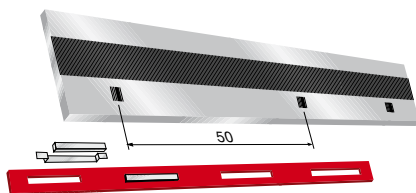


Distance-coded



Series	Distances			
	a	b	c	d
L	40.04	40.08	40.12	80
G and S	10.02	10.04	10.06	20

Selectable



Reference signals (I_0)

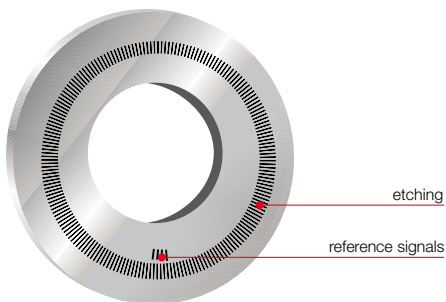
It is a reference signal etched on a graduation and when scanned by the measuring system generates a pulse. Reference marks are used to validate and restore the machine zero position specially after turning on the machine power.

Fagor Automation encoders have three types of reference marks I_0 :

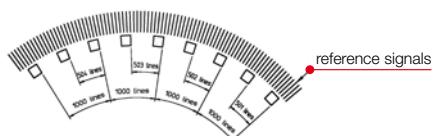
- **Incremental:** The reference signal obtained is synchronized with the feedback signals to ensure perfect measuring repeatability.
Linear: One every 50 mm of travel.
Angular and rotary: One signal per turn
- **Distance-coded:** Both on linear and angular encoders each distance coded reference signal is graduated in a non linear way based on the predefined mathematical function. The machine position value can be restored by moving through two consecutive reference signals. The machine movement needed to know the real position is always very small and this is a very useful feature for large travel machines.
- **Selectable:** With selectable linear encoders the customer can select one or more reference points and ignore the rest by simply inserting a magnet at the selected point or points.

Angular encoder

Incremental



Distance-coded



Series	Nr. of lines	Nr. of references	Angle
H-D90	18 000	36	20°
S-D90			
S-D170			
H-D200	36 000	72	10°
H-D200			

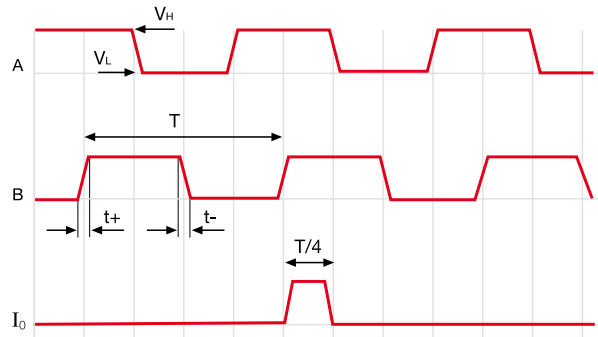
Electrical output signals

Differential TTL

These are complementary signals in compliance with the EIA standard RS-422. This characteristic together with a line termination of 120 Ω, twisted pair, and an overall shield provide greater immunity to electromagnetic noise caused by their environment.

Characteristics

Signals	A, /A, B, /B, I ₀ , /I ₀
Signal level	V _H ≥ 2.5V I _H = 20 mA V _L ≤ 0.5V I _L = 20 mA With 1 m cable
90° reference signal (I ₀)	Synchronized with A and B
Switching time	t ₊ /t ₋ < 30 ns With 1 m cable
Supply voltage and consumption	5 V ± 5%, 100 mA
T period	4, 2, 0.4, 0.2 μm
Max. cable length	50 meters
Load impedance	Z ₀ = 120 Ω between differential



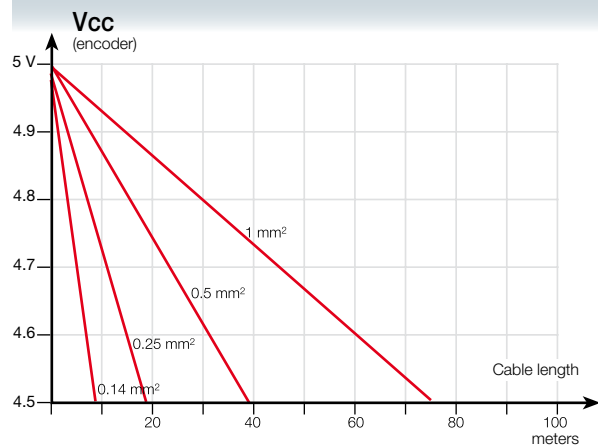
Voltage drop across cable

The voltage required for a TTL encoder must be 5V ± 5%. A simple formula may be used to calculate the maximum cable length depending on the section of the supply cables.

$$L_{max} = (V_{CC} - 4.5) * 500 / (Z_{CABLE/Km} * I_{MAX})$$

Example

V _{CC} = 5V, I _{MAX}	=	0.2 Amp (With 120 Ω load)
Z (1 mm ²)	=	16.6 Ω/Km (L_{max} = 75 m)
Z (0.5 mm ²)	=	32 Ω/Km (L_{max} = 39 m)
Z (0.25 mm ²)	=	66 Ω/Km (L_{max} = 19 m)
Z (0.14 mm ²)	=	132 Ω/Km (L_{max} = 9 m)

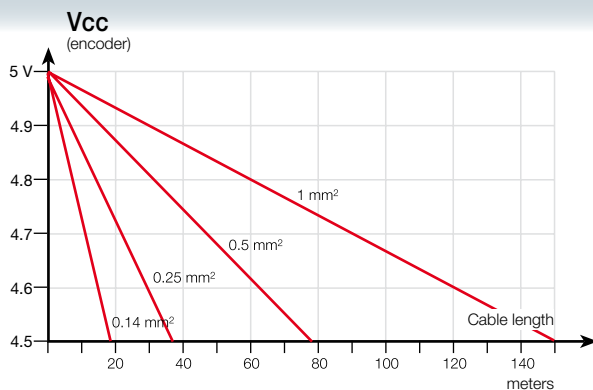
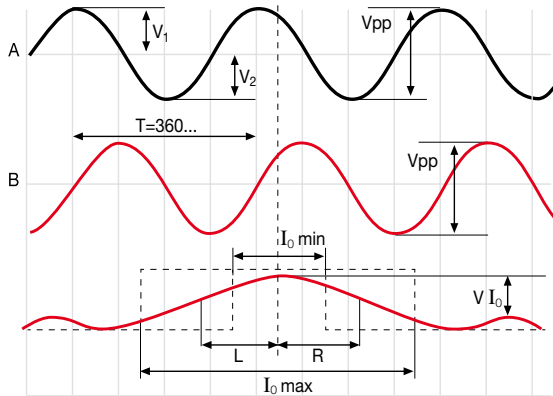


Differential 1 Vpp

They are complementary sinusoidal signals whose differential value is 1 Vpp centered on V_{CC2} . This characteristic together with a line termination of 120Ω , twisted pair, and an overall shield provide greater immunity to electromagnetic noise caused by their environment.

Characteristics

Signals	A, /A, B, /B, I_0 / I_0
V_{App}	1 V +20%, -40%
V_{Bpp}	1 V +20%, -40%
DC offset	2.5 V \pm 0.5 V
Signal period	20 μ m, 40 μ m
Supply V	5 V \pm 10%
Max. cable length	150 meters
A, B centered: $ V_1 - V_2 / 2 V_{pp}$	≤ 0.065
A&B relationship: V_{App} / V_{Bpp}	0.8 \div 1.25
A&B phase shift:	90° \pm 10°
I_0 amplitude: V_{I_0}	0.2 \div 0.8 V
I_0 width: L + R	I_{0_min} : 180° I_{0_typ} : 360° I_{0_max} : 540°
I_0 synchronism: L, R	180° \pm 90°



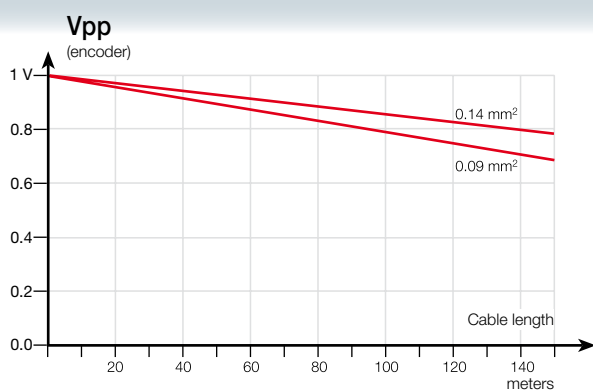
Voltage drop across cable

The voltage required for a 1 Vpp encoder must be 5 V \pm 10%. A simple formula may be used to calculate the maximum cable length depending on the section of the supply cables:

$$L_{max} = (V_{CC} - 4.5) * 500 / (Z_{CABLE/Km} * I_{MAX})$$

Example

V_{CC}	=	5V, $I_{MAX} = 0.1$ Amp
Z (1 mm ²)	=	16.6 Ω /Km ($L_{max} = 150$ m)
Z (0.5 mm ²)	=	32 Ω /Km ($L_{max} = 78$ m)
Z (0.25 mm ²)	=	66 Ω /Km ($L_{max} = 37$ m)
Z (0.14 mm ²)	=	132 Ω /Km ($L_{max} = 18$ m)



1 Vpp signal damping due to the cable section

Besides attenuation due to signal frequency, there is another signal attenuation caused by the section of the cable connected to the encoder.

Range



Analyze the application to make sure that the proper encoder will be selected for the machine.

To do this, bear in mind the following considerations

■ Linear

Installation

Consider the physical length of the installation and the space available for it.

These aspects are crucial to determine the type of linear encoder to use (type of profile).

Accuracy

Each linear encoder comes with a graph showing its accuracy along its measuring length.

Signal

Consider the following variables for selecting the type of signal: Resolution, cable length and compatibility.

Resolution

The resolution of the control of machine-tools depends on the linear encoder.

Cable length

The length of the cable depends on the type of signal.

Speed

The speed requirements for the application must be analyzed before choosing the linear encoder.

Shock and Vibration

Fagor linear encoders withstand vibrations of up to 20 g and shocks of up to 30 g.

Alarm signal

Models SW / SOW / SSW and GW / GOW / GSW offer the alarm signal AL.

■ Angular

Installation

This point considers the physical dimensions of the installation and the space available for it.

It is essential to determine its type of shaft: Hollow or solid.

Accuracy

Each encoder comes with a graph showing its accuracy along its measuring length.

Alarm signal

Models H-D200, H-D90, S-D170, S-1024-D90 and S-D90 offer the alarm signal AL.

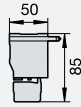
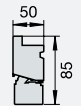
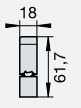
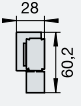
■ Rotary

Installation

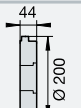
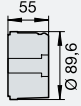
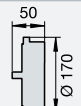
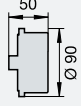
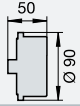
This point considers the physical dimensions of the installation and the space available for it.

It is essential to determine its type of shaft: Hollow or solid.

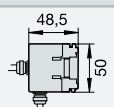
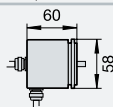
Linear

Series	Section	Measuring lengths
L Long		400 mm to 60 m
G Wide		140 mm to 3 040 mm
S Reduced		70 mm to 1 240 mm
SV Reduceds		70 mm to 2 040 mm

Angular

Series	Section	Type of shaft
H-D200		Hollow shaft
H-D90		Hollow shaft
S-D170		Solid shaft
S-1024-D90		Solid shaft
S-D90		Solid shaft

Rotary

Series	Section	Type of shaft
H		Hollow shaft
S		Solid shaft



Accuracy	Signals	Pitch Resolution up to	Model	Page
± 5 μm	~ 1 Vpp	0.1 μm	LP / LOP	38 and 39
	□ TTL	1 μm	LX / LOX	
± 5 μm and ± 3 μm	~ 1 Vpp	0.1 μm	GP / GOP / GSP	40 and 41
	□ TTL	1 μm	GX / GOX / GSX	
	□ TTL	0.5 μm	GY / GOY / GSY	
	□ TTL	0.1 μm	GW / GOW / GSW	
± 5 μm and ± 3 μm	~ 1 Vpp	0.05 μm	GZ / GOZ / GSZ	42 and 43
	□ TTL	0.1 μm	SP / SOP / SSP	
	□ TTL	1 μm	SX / SOX / SSX	
	□ TTL	0.5 μm	SY / SOY / SSY	
± 5 μm and ± 3 μm	~ 1 Vpp	0.1 μm	SW / SOW / SSW	44 and 45
	□ TTL	0.05 μm	SZ / SOZ / SSZ	
	□ TTL	0.1 μm	SVP / SVOP / SVSP	
	□ TTL	1 μm	SVX / SVOX / SVSX	
± 5 μm and ± 3 μm	~ 1 Vpp	0.5 μm	SVY / SVOY / SVSY	44 and 45
	□ TTL	0.1 μm	SVW / SVOW / SVSW	
	□ TTL	0.05 μm	SVZ / SVOZ / SVSZ	
	□ TTL	0.1 μm	SVZ / SVOZ / SVSZ	

Accuracy	Signals	Model	Page
± 2" (arc-seconds)	~ 1 Vpp	HP-D200 / HOP-D200	46
	□ TTL	H-D200 / HO-D200	
± 5", ± 2,5" (arc-seconds)	~ 1 Vpp	HP-D90 / HOP-D90	47
	□ TTL	H-D90 / HO-D90	
± 2" (arc-seconds)	~ 1 Vpp	SP-D170 / SOP-D170	48
	□ TTL	S-D170 / SO-D170	
± 5" (arc-seconds)	~ 1 Vpp (dual feedback)	SP/SOP 18000-1024-D90	49
	□ TTL (dual feedback)	S/SO 18000-1024-D90 S/SO 90000-1024-D90	
± 5", ± 2,5" (arc-seconds)	~ 1 Vpp	SP-D90 / SOP-D90	50
	□ TTL	S-D90 / SO-D90	

Accuracy	Signals	Model	Page
± 1/10 of the pitch	~ 1 Vpp	HP	52 and 53
	□ TTL	H / HA	
± 1/10 of the pitch	~ 1 Vpp	SP	52 and 53
	□ TTL	S	

L series

LINEAR



Specially designed for high performance environment requiring speed and accuracy.

Their special mounting system guarantees a thermal behavior identical to that of the machine surface the linear encoder is mounted on. This is achieved through floating fixtures at their ends with the base of the machine and by tensioning the etched steel tape. This system eliminates the errors caused by temperature changes and ensures maximum accuracy and repeatability of the linear encoders.

The steel tape graduation pitch is 40 µm. Measuring lengths over 4 040 mm require the use of modules.

Measuring lengths

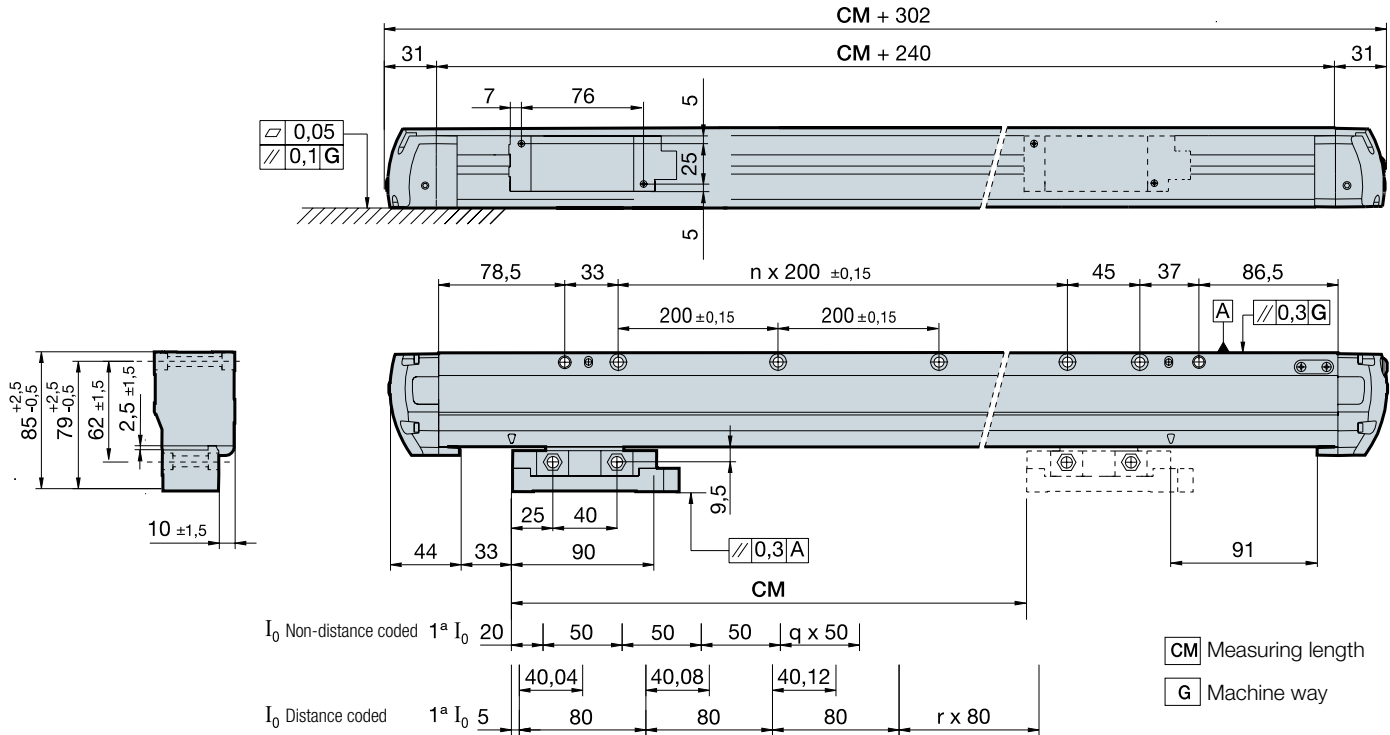
- Available in measuring lengths from 440 mm to 60 m in 200 mm increments. Contact Fagor Automation for custom solutions if your application requires longer lengths than 60 meters.

Characteristics

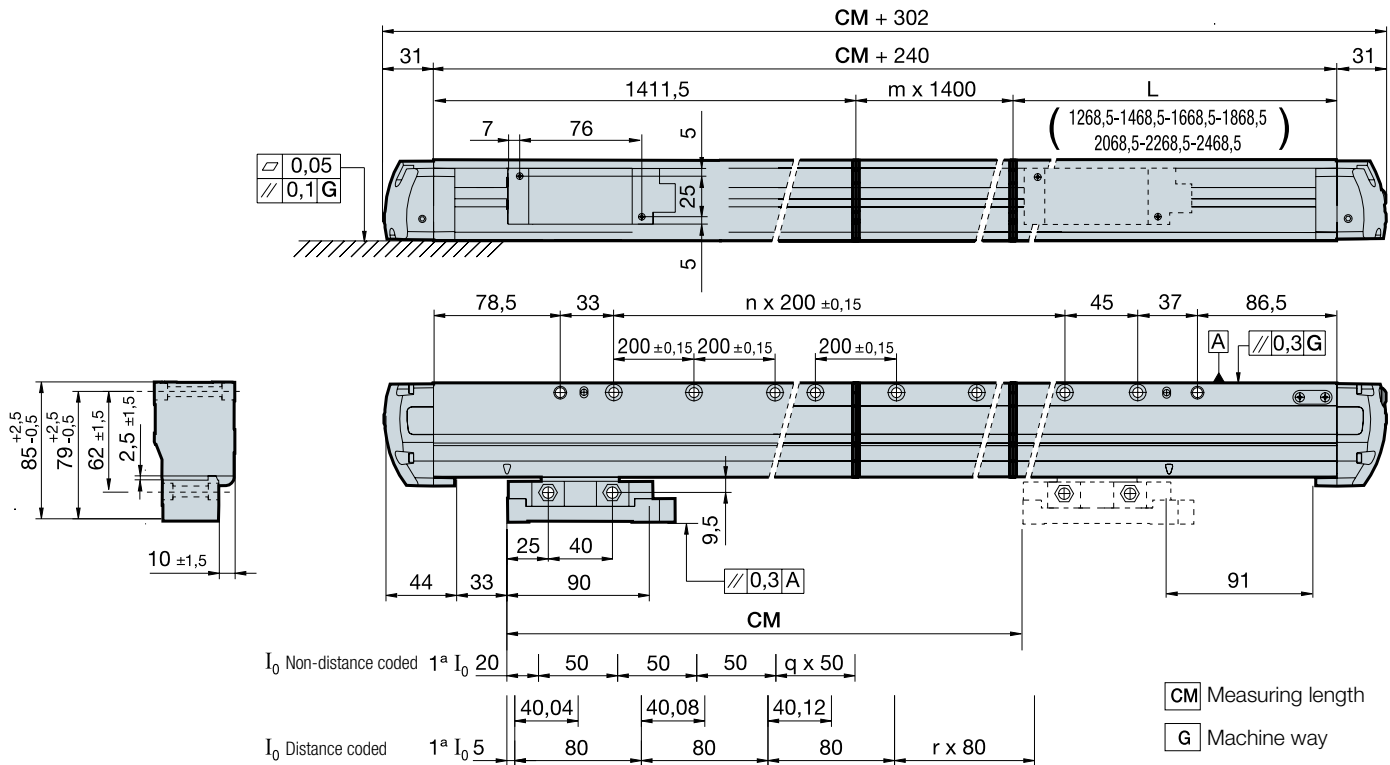
	LX	LP
Measurement	By means of a 40 µm-pitch stainless steel tape	
Steel tape thermal expansion coefficient	α_{therm} : 11 ppm/K aprox.	
Measuring resolution	1 µm	Up to 0.1 µm
Output signals	□□ TTL differential	~ 1 Vpp
Incremental signal period	4 µm	40 µm
Limit frequency	500 KHz	50 KHz
Maximum speed	120 m/min	120 m/min
Minimum distance between flanks	0.5 microseconds	-
Reference marks I ₀	LX and LP: every 50 mm LOX and LOP: distance-coded I ₀	
Maximum cable length	50 m	150 m
Supply voltage	5 V ± 10%, < 150 mA (without load)	
Accuracy of shaft	± 5 µm/m	± 5 µm/m
Maximum vibration	10 g (55 ... 2000 Hz) IEC 60068-2-6	
Maximum shock	30 g (11 ms) IEC 60068-2-27	
Maximum acceleration	10 g in the measuring direction	
Required moving force	< 5 N	
Operating temperature	0 °C ... 50 °C	
Storage temperature	-20 °C ... 70 °C	
Weight	1.50 kg + 4 kg/m	
Relative humidity	20 ... 80%	
Protection	IP 53 (standard) IP 64 (DIN 40050) using pressurized air at 0.8 ± 0.2 bar in linear encoders	
Reader head	With built-in connector Connection at both ends of the reader head	

Single L model

Dimensions in mm



Modular Lmodel



Order identification

Example of Linear Encoder LOP - 102 - A

L	O	P	102	A
Type of profile for long space	Type of reference mark I_0: • Blank space: Incremental, one mark every 50 mm • O: Distance-coded marks	Type of signal: • X: 1 μ m resolution differential TTL • P: 1 Vpp sinusoidal	Ordering length code: In the example (102) = 10240 mm	Air intake on the reader head: • Blank space: Without air intake • A: With air intake

G series

LINEAR



Specially designed for high performance environment requiring high speed and accuracy.

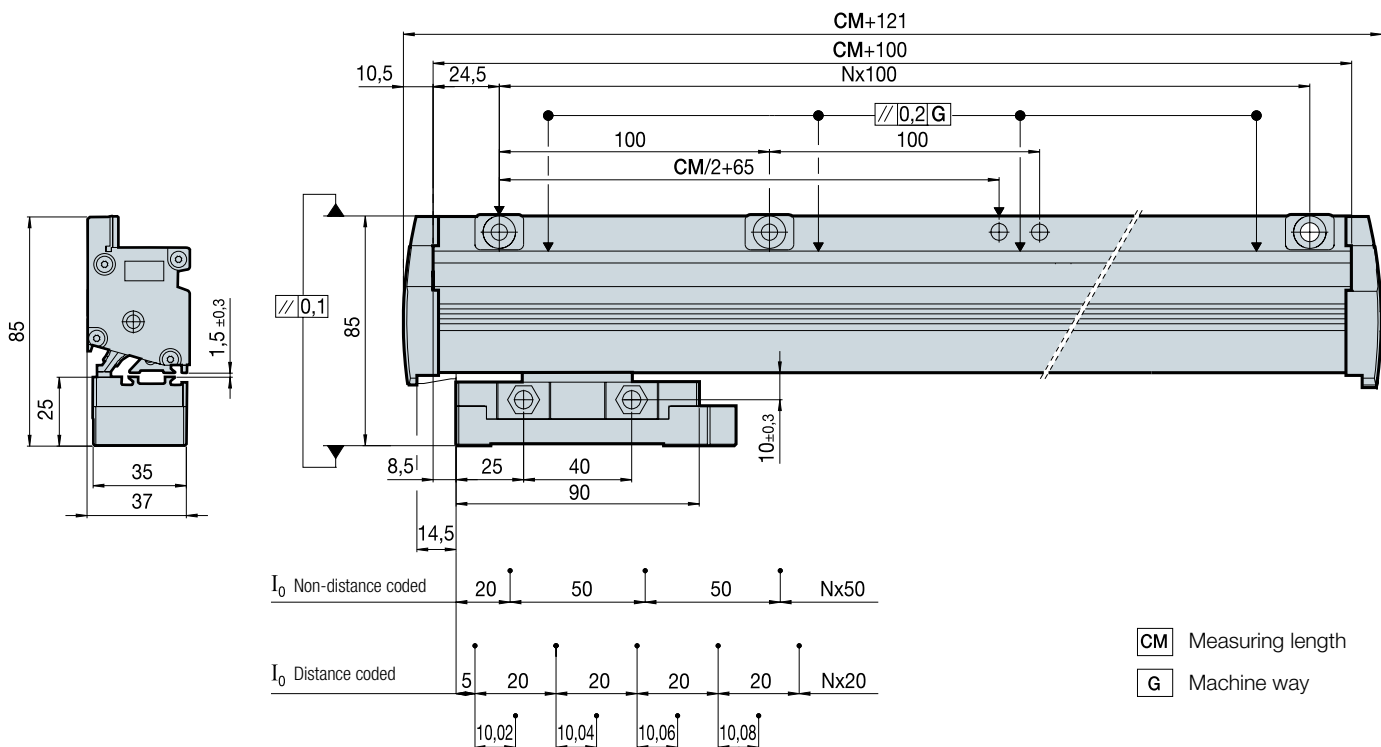
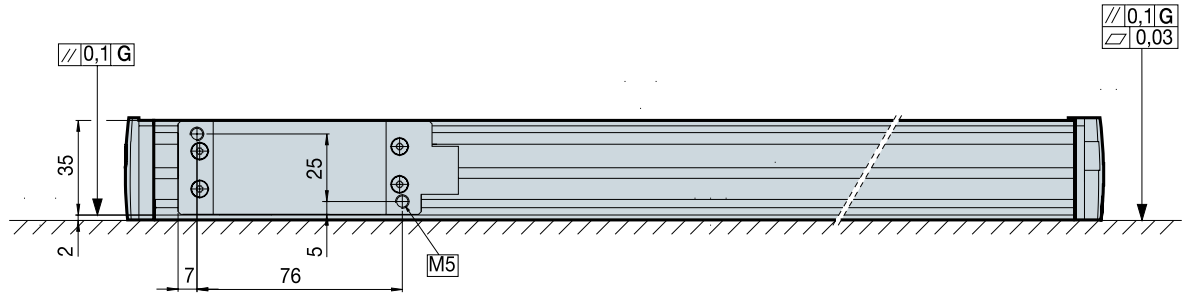
The TDMS™ mounting system ensures greater accuracy, higher repeatability and ability to withstand vibrations without compromising machine performance.

Measuring lengths in millimeters

140 • 240 • 340 • 440 • 540 • 640 • 740 • 840 • 940
 1 040 • 1 140 • 1 240 • 1 340 • 1 440 • 1 540 • 1 640
 1 740 • 1 840 • 2 040 • 2 240 • 2 440 • 2 640 • 2 840
 3 040

Characteristics					
	GX	GY	GW	GZ	GP
Measurement	By means of a 20 µm-pitch graduated glass				
Glass thermal expansion coefficient	α_{therm} : 8 ppm/K aprox.				
Measuring resolution	1 µm	0.5 µm	0.1 µm	0.05 µm	Up to 0.1 µm
Output signals	□ □ TTL differential	□ □ TTL differential	□ □ TTL differential	□ □ TTL differential	~ 1 Vpp
Incremental signal period	4 µm	2 µm	0.4 µm	0.2 µm	20 µm
Limit frequency	500 KHz	1 MHz	1,5 MHz	500 KHz	100 KHz
Maximum speed	120 m/min	120 m/min	36 m/min	6 m/min (*)	120 m/min
Minimum distance between flanks	0.5 microseconds	0.25 microseconds	0.1 microseconds	0.3 microseconds	-
Reference marks I ₀	GX, GY, GW, GZ and GP: every 50 mm GOX, GOY, GOW, GOZ and GOP: distance-coded I ₀ GSX, GSY, GSW, GSZ and GSP: selectable I ₀				
Maximum cable length	50 m	50 m	50 m	50 m	150 m
Supply voltage	5 V ± 10%, < 150 mA (without load)				
Accuracy	± 5 µm/m ± 3 µm/m	± 5 µm/m ± 3 µm/m	± 5 µm/m ± 3 µm/m	± 5 µm/m ± 3 µm/m	± 5 µm/m ± 3 µm/m
Maximum vibration	20 g (55 ... 2000 Hz) IEC 60068-2-6				
Maximum shock	30 g (11 ms) IEC 60068-2-27				
Maximum acceleration	10 g in the measuring direction				
Required moving force	< 5 N				
Operating temperature	0 °C ... 50 °C				
Storage temperature	-20 °C ... 70 °C				
Weight	0.25 kg + 2.25 kg/m				
Relative humidity	20 ... 80%				
Protection	IP 53 (standard) IP 64 (DIN 40050) using pressurized air at 0.8 ± 0.2 bar in linear encoders				
Reader	With built-in connector Connection at both ends of the reader head				

(*): contact FAGOR for higher speed.



Order identification

Example of Linear Encoder: **GOX - 1640 - 5 - A**

G	O	X	1640	5	A
Type of profile for wide space	Type of reference mark I₀: • Blank space: Incremental, one mark every 50 mm • O: Distance-coded marks • S: Selectable reference marks	Type of signal: • X: 1 μm resolution differential TTL • Y: 0.5 μm resolution differential TTL • W: 0.1 μm resolution differential TTL • Z: 0.05 μm resolution differential TTL • P: 1 Vpp sinusoidal	Measuring lengths in millimeters: In the example (1640) = 1640 mm	Accuracy of the linear encoder: • 5: ± 5 μm • 3: ± 3 μm	Air intake on the reader head: • Blank space: Without air intake • A: With air intake

S series

LINEAR



Specially designed for high performance environment requiring high speed and accuracy. Ideal for limited mounting spaces.

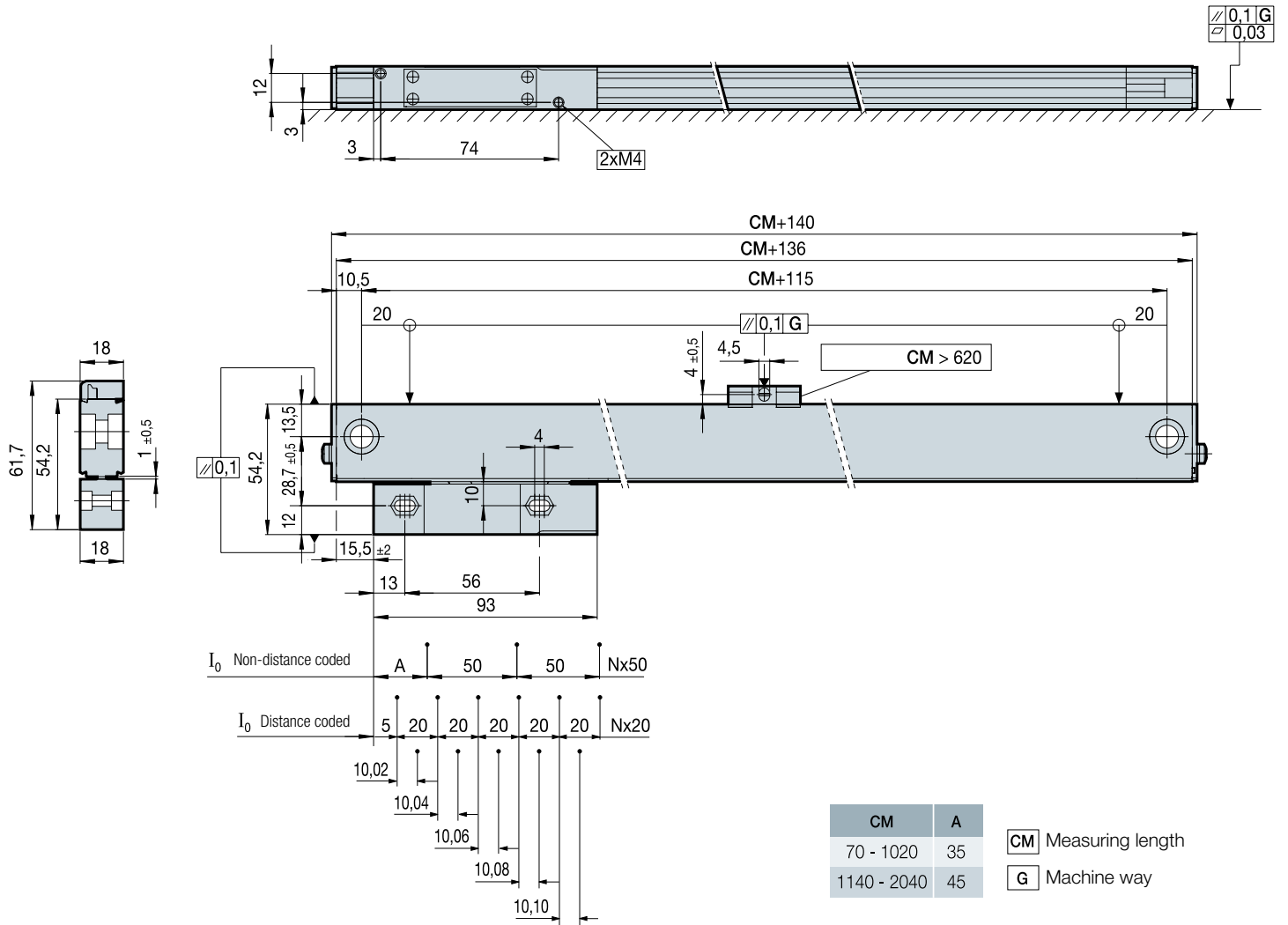
Measuring lengths in millimeters

70 • 120 • 170 • 220 • 270 • 320 • 370 • 420 • 470 • 520
570 • 620 • 670 • 720 • 770 • 820 • 870 • 920 • 1 020
1 140 • 1 240

Characteristics

	SX	SY	SW	SZ	SP
Measurement	By means of a 20 µm-pitch graduated glass				
Glass thermal expansion coefficient	α_{therm} : 8 ppm/K aprox.				
Measuring resolution	1 µm	0.5 µm	0.1 µm	0.05 µm	Up to 0.1 µm
Output signals	□□ TTL differential	□□ TTL differential	□□ TTL differential	□□ TTL differential	~ 1 Vpp
Incremental signal period	4 µm	2 µm	0.4 µm	0.2 µm	20 µm
Limit frequency	500 KHz	1 MHz	1.5 MHz	500 KHz	100 KHz
Maximum speed	120 m/min	120 m/min	36 m/min	6 m/min (*)	120 m/min
Minimum distance between flanks	0.5 microseconds	0.25 microseconds	0.1 microseconds	0.3 microseconds	-
Reference marks I_0	SX, SY, SW, SZ and SP: every 50 mm SOX, SOY, SOW, SOZ and SOP: distance-coded I_0 SSX, SSY, SSW, SSZ and SSP: selectable I_0				
Maximum cable length	50 m	50 m	50 m	50 m	150 m
Supply voltage	5 V ± 10%, < 150 mA (without load)				
Accuracy	± 5 µm/m ± 3 µm/m	± 5 µm/m ± 3 µm/m	± 5 µm/m ± 3 µm/m	± 5 µm/m ± 3 µm/m	± 5 µm/m ± 3 µm/m
Maximum vibration	10 g without mounting plate				
Maximum shock	30 g (11 ms) IEC 60068-2-27				
Maximum acceleration	10 g in the measuring direction				
Required moving force	< 4 N				
Operating temperature	0 °C ... 50 °C				
Storage temperature	-20 °C ... 70 °C				
Weight	0.20 kg + 0.50 kg/m				
Relative humidity	20 ... 80%				
Protection	IP 53 (standard) IP 64 (DIN 40050) using pressurized air at 0.8 ± 0.2 bar in linear encoders				
Reader	With built-in connector				

(*): contact FAGOR for higher speed.



Order identification

Example of Linear Encoder: **SOP - 420 - 5 - A**

S	O	P	420	5	A
Type of profile for wide space	Type of reference mark I_0:	Type of signal:	Measuring lengths in millimeters:	Accuracy of the linear encoder:	Air intake on the reader head:
	<ul style="list-style-type: none"> Blank space: Incremental, one mark every 50 mm O: Distance-coded marks S: Selectable reference marks 	<ul style="list-style-type: none"> X: 1 μm resolution differential TTL Y: 0.5 μm resolution differential TTL W: 0.1 μm resolution differential TTL Z: 0.05 μm resolution differential TTL P: 1 Vpp sinusoidal 	In the example (420) = 420 mm	<ul style="list-style-type: none"> 5: $\pm 5 \mu$m 3: $\pm 3 \mu$m 	<ul style="list-style-type: none"> Blank space: Without air intake A: With air intake

SV series

LINEAR



Specially designed for high performance environment requiring high speed and accuracy and the need to withstand higher vibrations.

The TDMS™ mounting system incorporated through a separate back bar ensures greater accuracy, higher repeatability and ability to withstand vibrations without compromising machine performance.

Measuring lengths in millimeters

70 • 120 • 170 • 220 • 270 • 320 • 370 • 420 • 470 • 520
570 • 620 • 670 • 720 • 770 • 820 • 870 • 920 • 1020
1140 • 1240 • 1340 • 1440 • 1540 • 1640 • 1740 • 1840
2040

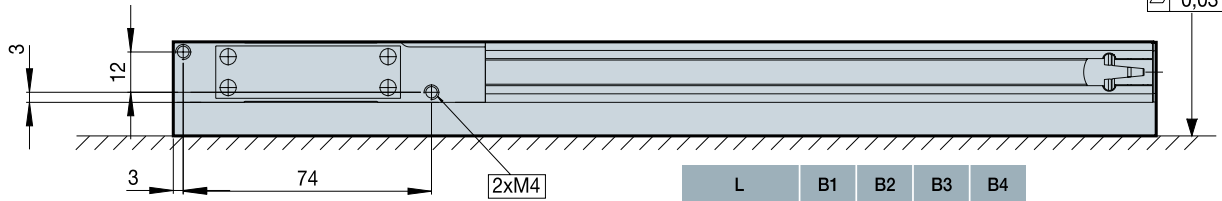
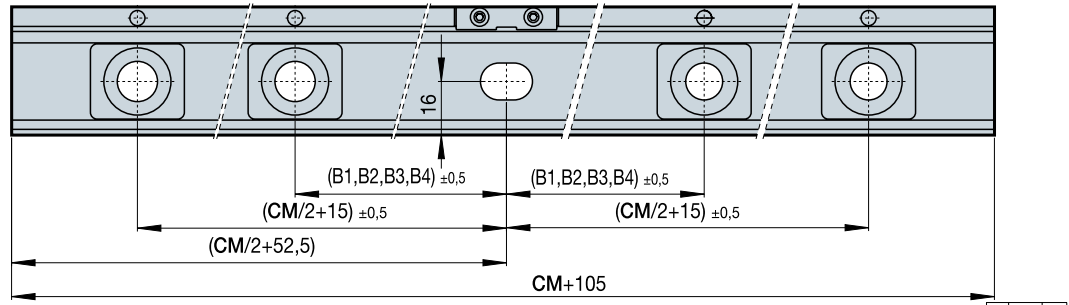
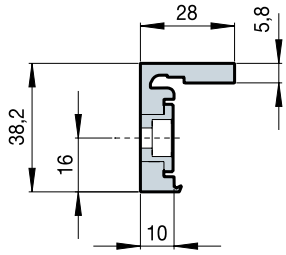
Characteristics

	SVX	SVY	SVW	SVZ	SVP
Measurement	By means of a 20 µm-pitch graduated glass				
Glass thermal expansion coefficient	α_{therm} : 8 ppm/K aprox.				
Measuring resolution	1 µm	0.5 µm	0.1 µm	0.05 µm	Up to 0.1 µm
Output signals	□ □ TTL differential	□ □ TTL differential	□ □ TTL differential	□ □ TTL differential	~ 1 Vpp
Incremental signal period	4 µm	2 µm	0.4 µm	0.2 µm	20 µm
Limit frequency	500 KHz	1 MHz	1,5 MHz	500 KHz	100 KHz
Maximum speed	120 m/min	120 m/min	36 m/min	6 m/min (*)	120 m/min
Minimum distance between flanks	0.5 microseconds	0.25 microseconds	0.1 microseconds	0.3 microseconds	-
Reference marks I ₀	SVX, SVY, SVW, SVZ and SVP: every 50 mm SVOX, SVOY, SVOW, SVOZ and SVOP: distance-coded I ₀ SVSX, SVSY, SVSW, SVSZ and SVSP: selectable I ₀				
Maximum cable length	50 m	50 m	50 m	50 m	150 m
Supply voltage	5 V ± 10%, < 150 mA (without load)				
Accuracy	± 5 µm/m ± 3 µm/m	± 5 µm/m ± 3 µm/m	± 5 µm/m ± 3 µm/m	± 5 µm/m ± 3 µm/m	± 5 µm/m ± 3 µm/m
Maximum vibration	20 g with mounting plate				
Maximum shock	30 g (11 ms) IEC 60068-2-27				
Maximum acceleration	10 g in the measuring direction				
Required moving force	< 4 N				
Operating temperature	0 °C ... 50 °C				
Storage temperature	-20 °C ... 70 °C				
Weight	0.25 kg + 1.35 kg/m				
Relative humidity	20 ... 80%				
Protection	IP 53 (standard) IP 64 (DIN 40050) using pressurized air at 0.8 ± 0.2 bar in linear encoders				
Reader	With built-in connector				

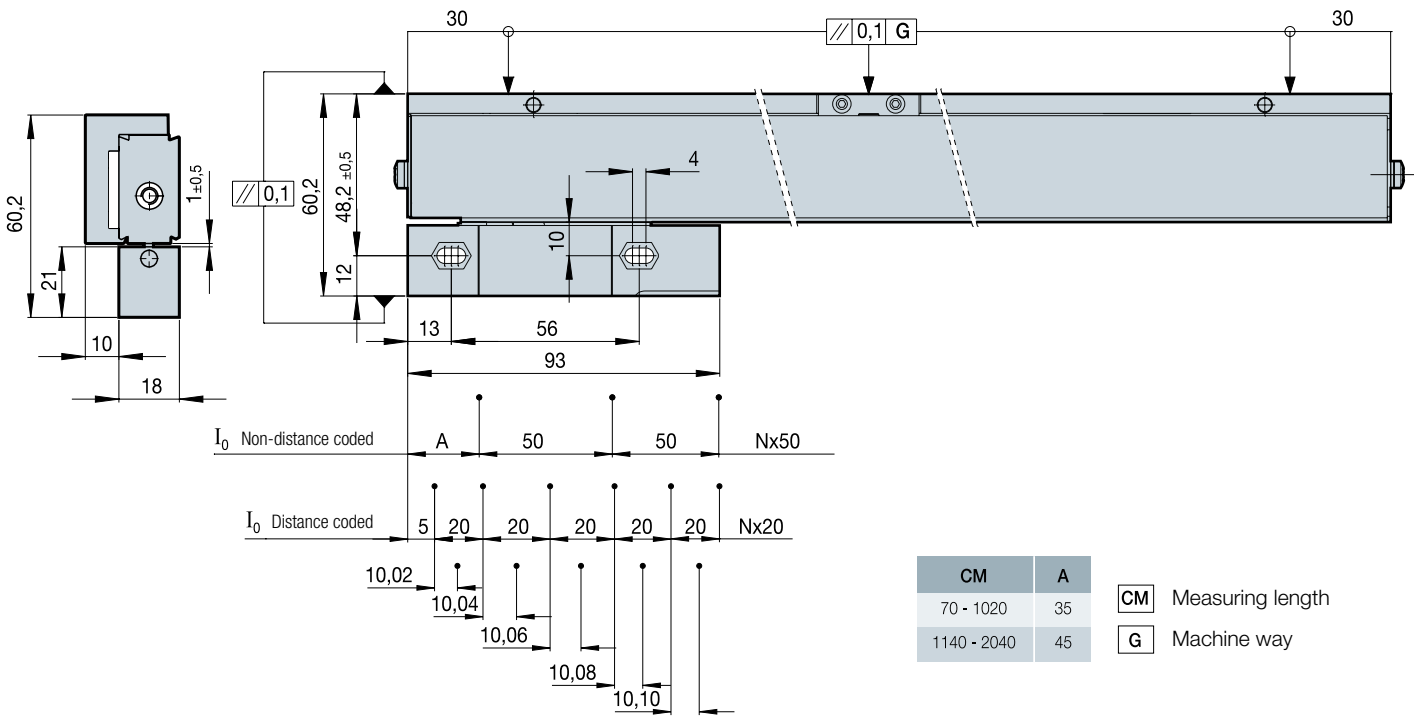
(*): contact FAGOR for higher speed.

SV model

Dimensions in mm



L	B1	B2	B3	B4
70 - 520	-	-	-	-
570 - 920	200	-	-	-
1020 - 1340	200	400	-	-
1440 - 1740	200	400	600	-
1840 - 2040	200	400	600	800



CM	A
70 - 1020	35
1140 - 2040	45

CM Measuring length
G Machine way

Order identification

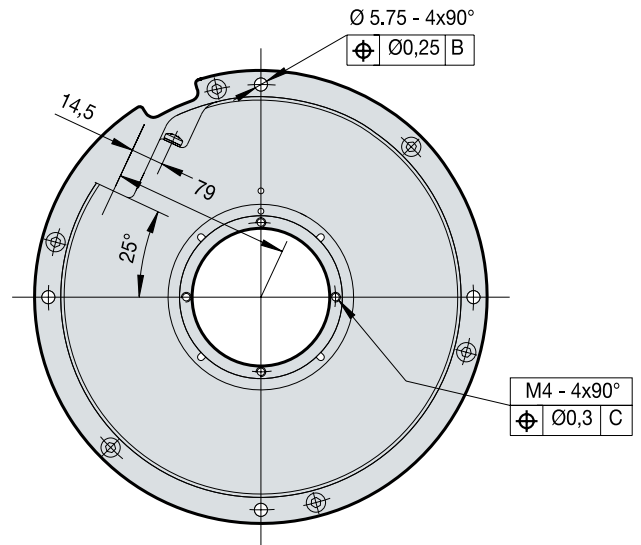
Example of Linear Encoder: **SVOP - 420 - 5 - B - A**

SV	O	P	420	5	B	A
Type of profile for reduced spaces: • SV: Vibration mounting for up to 20 g	Type of reference mark I₀: • Blank space: Incremental, one mark every 50 mm • O: Distance-coded marks • S: Selectable reference marks	Type of signal: • X: 1 μm resolution differential TTL • Y: 0.5 μm resolution differential TTL • W: 0.1 μm resolution differential TTL • Z: 0.05 μm resolution differential TTL • P: 1 Vpp sinusoidal	Measuring lengths in millimeters: In the example (420) = 420 mm	Precisión del encoder lineal: • 5: ± 5 μm • 3: ± 3 μm	Linear encoder built-in support: • B: With built-in support for vibration up to 20 g	Air intake on the reader head: • Blank space: Without air intake • A: With air intake

H-D200 series

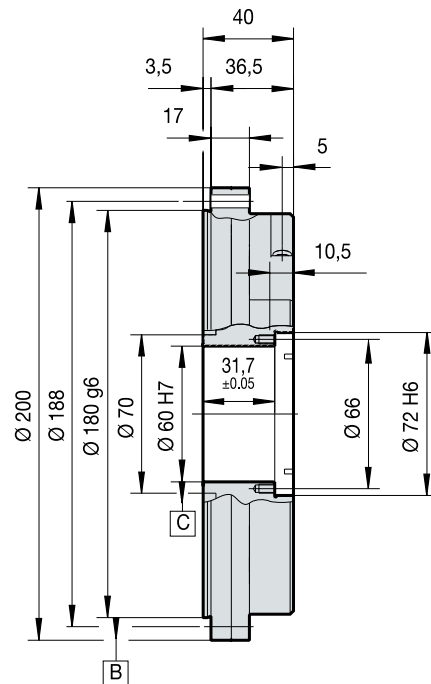
ANGULAR

Dimensions in mm



General characteristics

Measurement	By means of graduated glass disk		
Accuracy	$\pm 2''$		
Number of pulses/turn	18 000, 36 000, 90 000, 180 000 and 360 000		
Vibration	100 m/sec ² (55 ÷ 2000 Hz) IEC 60068-2-6		
Natural frequency	$\geq 1\,000$ Hz		
Shock	1 000 m/sec ² (6 ms) IEC 60068-2-27		
Inertia	10 000 gr/cm ²		
Maximum mechanical speed	1 000 rpm		
Maximum electrical speed	Pulses	TTL	1 vpp
	18 000	< 1 000 min ⁻¹	< 600 min ⁻¹
	36 000	< 1 000 min ⁻¹	< 300 min ⁻¹
	90 000	< 666 min ⁻¹	
	180 000	< 333 min ⁻¹	
360 000	< 166 min ⁻¹		
Turning torque	≤ 0.5 Nm		
Weight	3.2 kg		
Ambient characteristics:			
Running temperature	0 °C...+50 °C		
Storage temperature	-30 °C...+80 °C		
Protection	IP64 (DIN 40050) standard >IP64 with pressurized air at 0.8 ± 0.2 bar		
Maximum frequency	180 KHz for 1 Vpp signal 1 MHz for TTL signal		
Consumption without load	Maximum 150 mA		
Supply voltage	5 V ± 5% (TTL); 5 V ± 10% (1 Vpp)		
Reference signal I ₀	One reference signal per encoder turn or distance-coded I ₀		
Output signals	□ TTL differential (18 000, 36 000, 90 000, 180 000 and 360 000 Pulses/turn) ~ 1 Vpp (18 000 and 36 000 Pulses/turn)		
Maximum cable length	□ Signals TTL: 50 m ~ 1 Vpp: 150 m		



Order identification

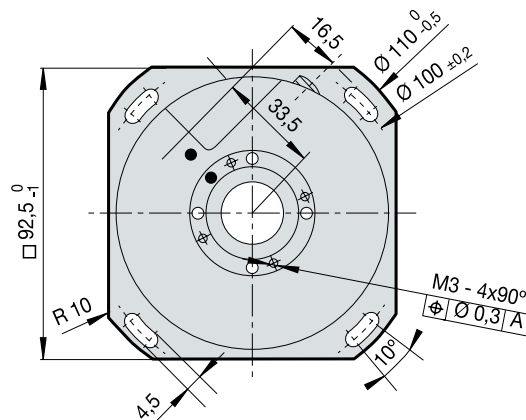
Example of Angular Encoder: **HOP - 18000 - D200-2**

H	O	P	18000	D200	2
Type of shaft: • H: Hollow shaft	Type of reference mark I₀: • Blank space: Incremental, one per revolution • O: Distance-coded marks	Type of signal: • Blank space: Differential TTL • P: 1 Vpp sinusoidal	Number of pulses/turn of the first feedback: • 18 000: on 1 Vpp and TTL models • 36 000: on 1 Vpp and TTL models • 90 000: only on TTL models • 180 000: only on TTL models • 360 000: only on TTL models	Diameter: • D200: 200 mm	Accuracy: • 2: $\pm 2''$ arc-seconds

H-D90 series

ANGULAR

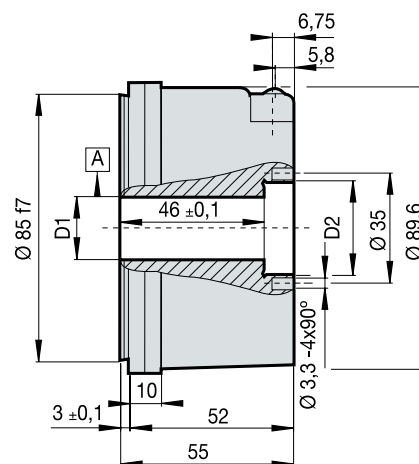
Dimensions in mm



General characteristics

Measurement	By means of graduated glass disk		
Accuracy	± 5" and ± 2.5"		
Number of pulses/turn	18 000, 90 000 and 180 000		
Vibration	100 m/sec ² (55 ÷ 2 000 Hz) IEC 60068-2-6		
Natural frequency	≥ 1 000 Hz		
Shock	1 000 m/sec ² (6 ms) IEC 60068-2-27		
Inertia	650 gr/cm ²		
Maximum mechanical speed	3 000 rpm		
Maximum electrical speed	Pulses	TTL	1 vpp
	18 000	< 3 000 min ⁻¹	< 600 min ⁻¹
	90 000	< 666 min ⁻¹	
	180 000	< 333 min ⁻¹	
Turning torque	≤ 0.08 Nm		
Weight	1 kg		
Ambient characteristics:	Running temperature		
	-20 °C...+70 °C		
	Storage temperature		
	-30 °C...+80 °C		
Protection	IP64 (DIN 40050) standard >IP64 with pressurized air at 0.8 ± 0.2 bar		
Maximum frequency	180 KHz for 1 Vpp signal 1 MHz for TTL signal		
Consumption without load	Maximum 150 mA		
Supply voltage	5 V ± 5% (TTL); 5 V ± 10% (1 Vpp)		
Reference signal I ₀	One reference signal per encoder turn or distance-coded I ₀		
Output signals	□□ TTL differential (18 000, 90 000 and 180 000 Pulses/turn) ~ 1 Vpp (18 000 Pulses/turn)		
Maximum cable length	□□ Signals TTL: 50 m		
	~ 1 Vpp: 150 m		

Accuracy	± 2.5"	± 5"
D1	Ø 20 H6	Ø 20 H7
D2	Ø 30 H6	Ø 30 H7



Order identification

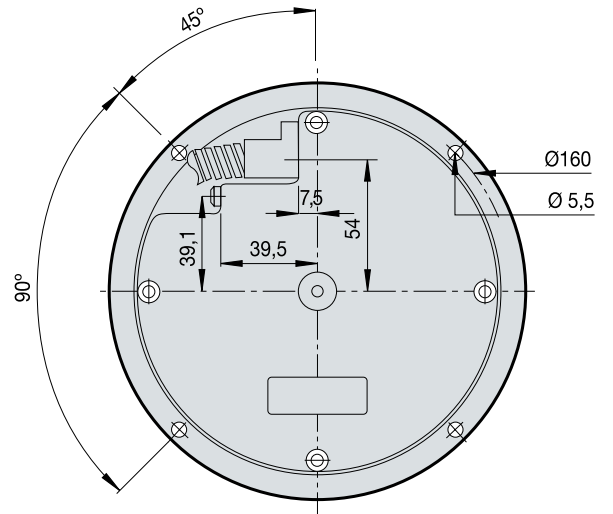
Example of Angular Encoder: **HOP - 18000 - D90-2**

H	O	P	18000	D90	2
Type of shaft: • H: Hollow shaft	Type of reference mark I₀: • Blank space: Incremental, one per revolution • O: Distance-coded marks	Type of signal: • Blank space: Differential TTL • P: 1 Vpp sinusoidal	Number of pulses/turn of the first feedback: • 18 000: On 1 Vpp and TTL models • 90 000: Only on TTL models • 180 000: Only on TTL models	Diameter: • D90: 90 mm	Accuracy: • Blank space: ±5" arc-seconds • 2: ±2.5" arc-seconds

S-D170 series

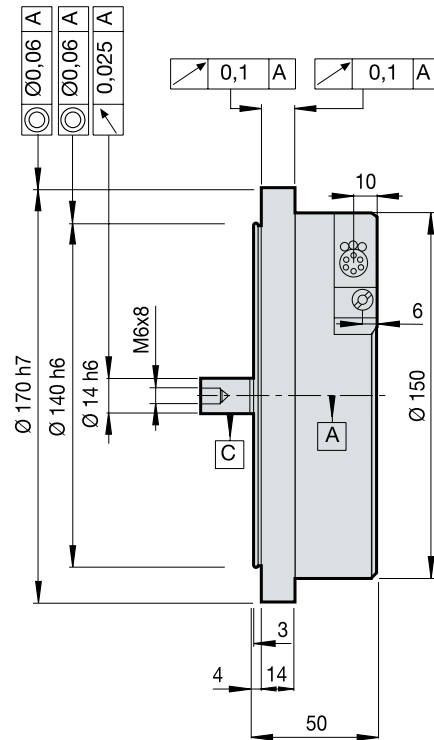
ANGULAR

Dimensions in mm



General characteristics

Measurement	By means of graduated glass disk		
Accuracy	± 2"		
Number of pulses/turn	18 000, 90 000 and 180 000		
Vibration	100 m/sec ² (55 ÷ 2000 Hz) IEC 60068-2-6		
Natural frequency	300 m/sec ² (6 ms) IEC 60068-2-27		
Inertia	350 gr/cm ²		
Maximum mechanical speed	3 000 rpm		
Maximum electrical speed	Pulses	TTL	1 vpp
	18 000	< 3 000 min ⁻¹	< 600 min ⁻¹
	90 000	< 666 min ⁻¹	
	180 000	< 333 min ⁻¹	
Turning torque	≤ 0.01 Nm		
Load on the shaft	Axial: 1 kg Radial: 1 kg		
Weight	2.65 kg		
Ambient characteristics:	Running temperature		
	0 °C...+50 °C		
Storage temperature	-30 °C...+80 °C		
	Protection	IP64 (DIN 40050) standard > IP64 with pressurized air at 0.8 ± 0.2 bar	
Maximum frequency	180 KHz for 1 Vpp signal		
	1 MHz for TTL signal		
Consumption without load	Maximum 250 mA		
Supply voltage	5 V ± 5% (TTL); 5V ± 10% (1 Vpp)		
Reference signal I ₀	One reference signal per encoder turn or distance-coded I ₀		
Output signals	□ TTL differential (18 000, 90 000 and 180 000 Pulses/turn)		
	~ 1 Vpp (18 000 Pulses/turn)		
Maximum cable length	□ Signals TTL: 50 m		
	~ 1 Vpp: 150 m		



Order identification

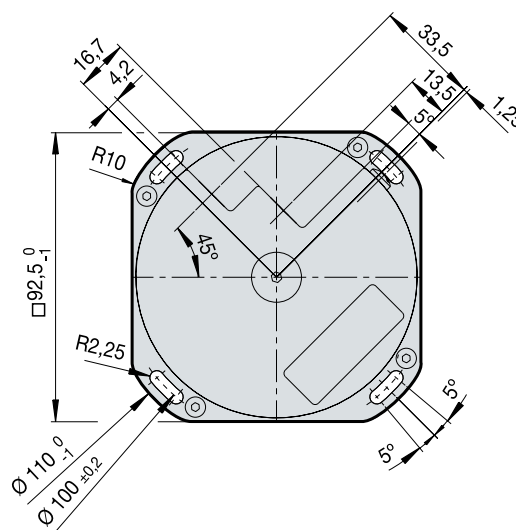
Example of Angular Encoder: **SOP - 18000 - D170-2**

S	O	P	18000	D170	2
Type of shaft: • S: Solid shaft	Type of reference mark I₀: • Blank space: Incremental, one per revolution • O: Distance-coded marks	Type of signal: • Blank space: Differential TTL • P: 1 Vpp sinusoidal	Number of pulses/turn of the first feedback: • 18 000: on 1 Vpp and TTL models • 90 000: only on TTL models • 180 000: only on TTL models	Diameter: • D170: 170 mm	Accuracy: • 2: ±2" arc-seconds

S-1024-D90 series

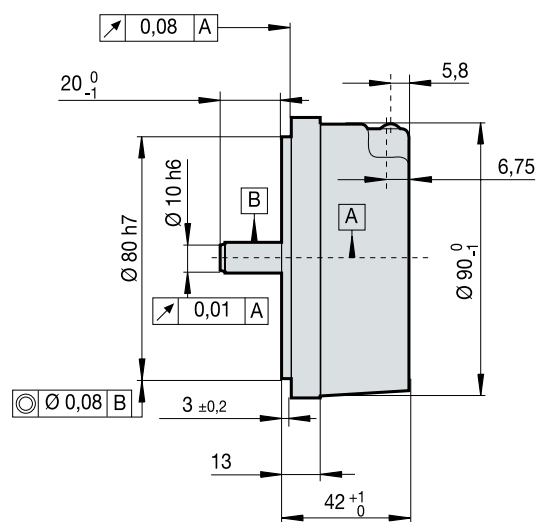
ANGULAR

Dimensions in mm



General characteristics

Measurement	By means of graduated glass disk		
Accuracy	± 5°		
Number of pulses/turn	90 000-1024 / 18 000-1024		
Vibration	100 m/sec ² (55 ÷ 2000 Hz) IEC 60068-2-6		
Shock	1 000 m/sec ² (6 ms) IEC 60068-2-27		
Inertia	240 gr/cm ²		
Maximum mechanical speed	10 000 rpm		
Maximum electrical speed	Pulses	TTL	1 vpp
	18 000 90 000	< 3 000 min ⁻¹ < 666 min ⁻¹	< 600 min ⁻¹
Turning torque	≤ 0.01 Nm		
Load on the shaft	Axial: 1 kg Radial: 1 kg		
Weight	0.8 kg		
Ambient characteristics:			
Running temperature	-20 °C...+70 °C		
Storage temperature	-30 °C...+80 °C		
Protection	IP64 (DIN 40050) standard >IP64 with pressurized air at 0.8 ± 0.2 bar		
Maximum frequency	180 KHz for 1 Vpp signal 1 MHz for TTL signal		
Consumption without load	Maximum 250 mA		
Supply voltage	5 V ± 5% (TTL); 5V ± 10% (1 Vpp)		
Reference signal I ₀	One reference signal per encoder turn or distance-coded I ₀		
Output signals 1 st Feedback	TTL differential (18 000 and 90 000 Pulses/turn) 1 Vpp (18 000 Pulses/turn)		
Output signals 2 nd Feedback	TTL differential (1 024 Pulses/turn) 1 Vpp (1 024 Pulses/turn)		
Maximum cable length	Signals TTL: 50 m 1 Vpp: 150 m		



Order identification

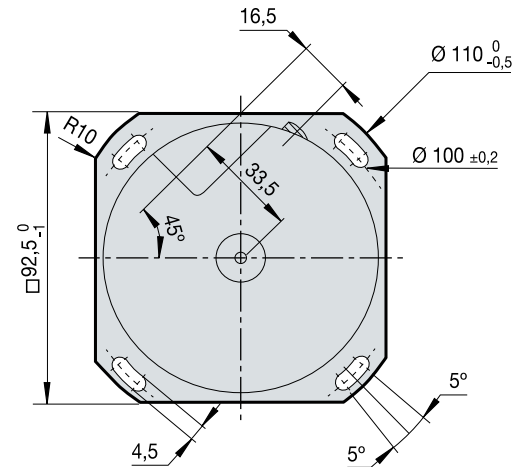
Example of Angular Encoder: **SOP - 18000-1024 - D90**

S	O	P	18000-1024	D90
Type of shaft: • S: Solid shaft	Type of reference mark I₀: • Blank space: Incremental, one per revolution • O: Distance-coded marks	Type of signal: • Blank space: Differential TTL • P: 1 Vpp sinusoidal	Number of pulses/turn: • 18 000-1024: On 1 Vpp and TTL models • 90 000-1024: Only on TTL models	Diameter: • D90: 90 mm

S-D90 series

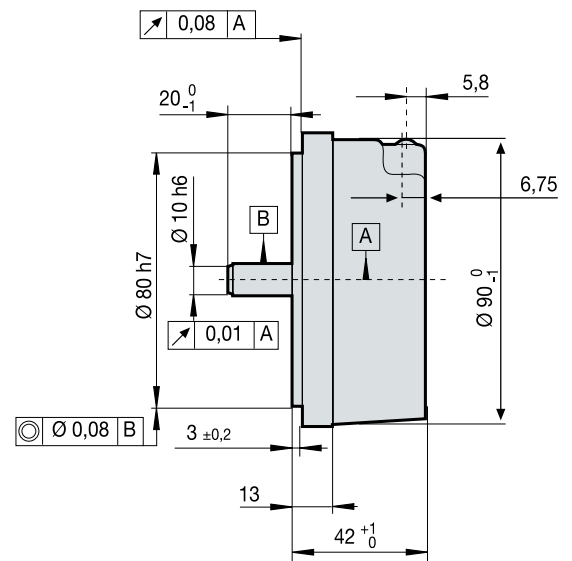
ANGULAR

Dimensions in mm



General characteristics

Measurement	By means of graduated glass disk		
Accuracy	± 5° and ± 2.5°		
Number of pulses/turn	18 000, 90 000 and 180 000		
Vibration	100 m/sec ² (55 ÷ 2000 Hz) IEC 60068-2-6		
Shock	1 000 m/sec ² (6 ms) IEC 60068-2-27		
Inertia	240 gr/cm ²		
Maximum mechanical speed	10 000 rpm		
Maximum electrical speed	Pulses	TTL	1 vpp
	18 000	< 3 000 min ⁻¹	< 600 min ⁻¹
	90 000	< 666 min ⁻¹	
	180 000	< 333 min ⁻¹	
Turning torque	≤ 0.01 Nm		
Load on the shaft	Axial: 1 kg Radial: 1 kg		
Weight	0,8 kg		
Ambient characteristics:	Running temperature		
	-20 °C...+70 °C (5°), 0 °C...+50 °C (2,5°)		
Protection	Storage temperature		
	-30 °C...+80 °C		
Maximum frequency	IP64 (DIN 40050) standard		
	>IP64 with pressurized air at 0.8 ± 0.2 bar		
Maximum frequency	180 KHz for 1 Vpp signal 1 MHz for TTL signal		
Consumption without load	Maximum 150 mA		
Supply voltage	5 V ± 5% (TTL); 5 V ± 10% (1 Vpp)		
Reference signal I ₀	One reference signal per encoder turn or distance-coded I ₀		
Output signals	□□ TTL differential (18 000, 90 000 and 180 000 Pulses/turn)		
	~ 1 Vpp (18 000 Pulses/turn)		
Maximum cable length	□□ Signals TTL: 50 m		
	~ 1 Vpp: 150 m		



Order identification

Example of Angular Encoder: **SOP - 18000 - D90-2**

S	O	P	18000	D90	2
Type of shaft: • S: Solid shaft	Type of reference mark I₀: • Blank space: Incremental, one per revolution • O: Distance-coded marks	Type of signal: • Blank space: Differential TTL • P: 1 Vpp sinusoidal	Number of pulses/turn of the first feedback • 18 000: On 1 Vpp and TTL models • 90 000: Only on TTL models • 180 000: Only on TTL models	Diameter: • D90: 90 mm	Accuracy: • Blank space: ±5° arc-seconds • 2: ±2.5° arc-seconds



H, S series

ROTARY



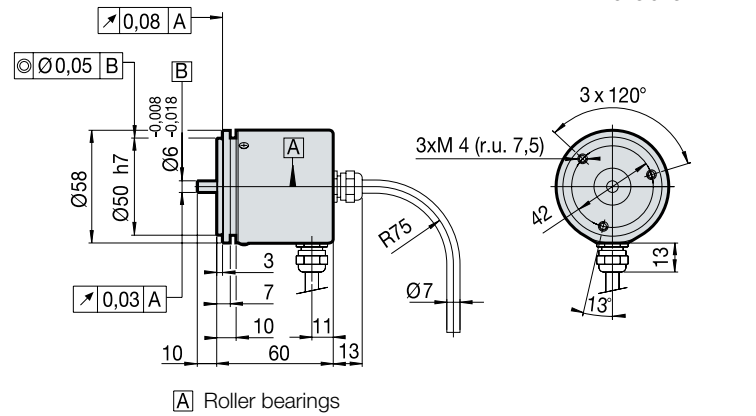
General characteristics

	S	SP	H	HP	HA
Measurement	Up to 625 pulses/turn: By means of perforated metallic disk From 625 pulses/turn on: By means of graduated glass disk				
Accuracy	± 1/10 of the pitch				
Maximum speed	12 000 rpm				6 000 rpm
Vibration	100 m/seg ² (10 ÷ 2000 Hz)				
Shock	300 m/seg ² (11 m/seg)				
Inertia	16 gr/cm ²				30 gr/cm ²
Turning torque	0.003 Nm (30 gr/cm) max. at 20 °C				0.02 Nm (200 gr/cm)
Type of shaft	Solid shaft		Hollow shaft		Hollow shaft
Maximum load on the shaft	Axial: 10 N Radial: 20 N		-		Axial: 40 N Radial: 60 N
Weight	0.3 kg				0.5 kg
Ambient characteristics:					
Running temperature	0 °C...+70 °C				
Storage temperature	-30 °C...+80 °C				
Relative humidity	98% non-condensing				
Protection	IP 64 (DIN 40050). On S and SP models: Optional IP 66				IP 65
Light source	IRED (InfraRed Emitting Diode)				
Maximum frequency	200 KHz				300 KHz
Reference signal I₀	One reference signal per encoder turn				
Supply voltage	5 V ± 5% (TTL)	5 V ± 10% (1 Vpp)	5 V ± 5% (TTL)	5 V ± 10% (1 Vpp)	5 V ± 5% (TTL)
Consumption	70 mA typical, 100 mA max. (without load)				
Output signals	□□ TTL differential	~ 1 Vpp	□□ TTL differential	~ 1 Vpp	□□ TTL differential
Maximum cable length	50 m	150 m	50 m	150 m	50 m

Number of pulses/turn

S	SP	H	HP	HA
100	-	100	-	-
200	-	200	-	-
250	-	250	-	-
400	-	400	-	-
500	-	500	-	-
600	-	600	-	-
635	-	635	-	-
1 000	1 000	1 000	1 000	-
1 024	1 024	1 024	1 024	1 024
1 250	1 250	1 250	1 250	1 800
1 270	1 270	1 270	1 270	2 000
1 500	1 500	1 500	1 500	2 048
2 000	2 000	2 000	2 000	2 500
2 500	2 500	2 500	2 500	3 000
3 000	3 000	3 000	3 000	3 600
-	3 600	-	-	4 000
-	4 320	-	-	4 096
5 000	5 000	-	-	5 000
-	-	-	-	10 000

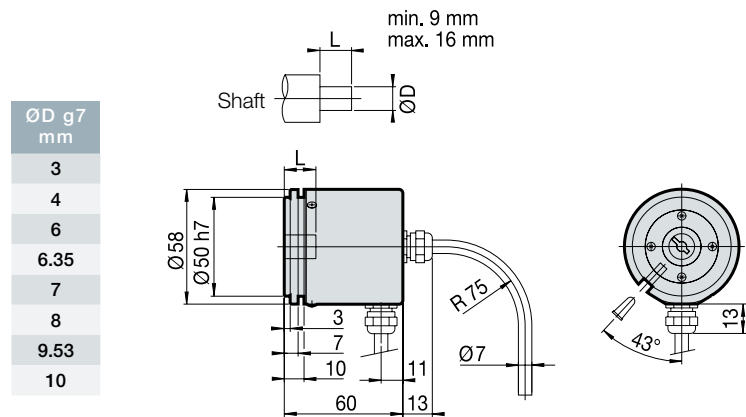
S, SP model



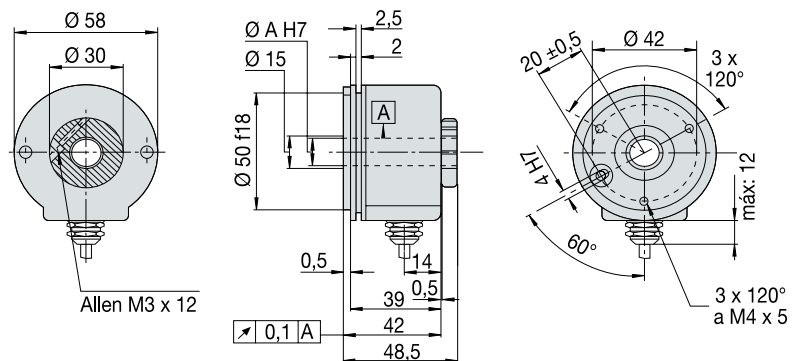
H, HP model



L: Min. 9 mm, max. 16 mm



HA model



Order identification - models H, HP, S and SP

Example for a Rotary Encoder: **SP-1024-C5-R-12-IP 66**

S	P	1024	C5	R	12	IP 66
Model: • S: Solid shaft • H: Hollow shaft	Type of signal: • Blank space: square signal (TTL or HTL) • P: 1 Vpp sinusoidal signal	Number of pulses/turn (See table page 52)	Type of connector: • Blank space: 1 m cable without connector • C: Flange socket CONNEI 12 • C5: 1 m cable with CONNEI 12 connector	Cable exit: • R: Radial • Blank space: Axial	Voltaje: • Blank space: Standard 5 V supply • 12: Optional 12 V supply (only for HTL signal)	Protection: • Blank space: Standard protection (IP 64) • IP 66: Protection IP 66

Order identification - HA model

Example for a Rotary Encoder: **HA - 22132 - 250**

HA	2	2	1	3	2	2500
Model: • H: Hollow shaft	Type of clamp: • 1: Rear clamp • 2: Front clamp	Size of the hollow shaft (ØA): • 2: 12 mm	Output signals: • 1: A, B, I ₀ plus their inverted	Type of connection: • 3: Radial cable (1 m) with CONNEI 12 connector	Supply voltage: • 2: RS-422 (5 V)	Number of pulses/turn (See table page 52)

Direct connection cables

Connection to FAGOR CNC

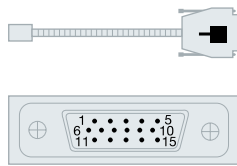
■ UP TO 12 METERS

EC...P-D

Lengths: 1, 3, 6 and 9 meters

SUB D 15 HD connector (male Pin ■)

Pin	Signal	Color
1	A	Green
2	/A	Yellow
3	B	Blue
4	/B	Red
5	I ₀	Grey
6	/I ₀	Pink
9	+5 V	Brown
11	0 V	White
15	Ground	Shield
Housing	Ground	Shield



■ FROM 12 METERS ON

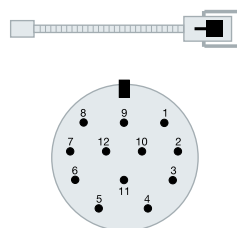
EC...A-C1 cable + XC-C2...D extension cable

EC...A-C1

Lengths: 1 and 3 meters

12 CIRCULAR connector (male Pin ■)

Pin	Signal	Color
5	A	Green
6	/A	Yellow
8	B	Blue
1	/B	Red
3	I ₀	Grey
4	/I ₀	Pink
7	/Alarm	Purple
12	+5 V	Brown
2	+5 V sensor	
10	0 V	White
11	0 V sensor	
Housing	Ground	Shield



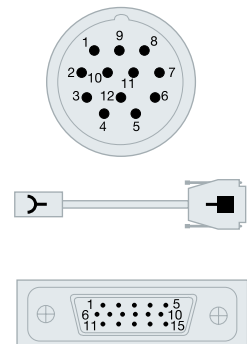
XC-C2-...D extension cable

Lengths: 5, 10, 15, 20 and 25 meters

12 CIRCULAR connector (female Pin ⤴)

SUB D 15 HD connector (male Pin ■)

Pin	Pin	Signal	Color
5	1	A	Brown
6	2	/A	Green
8	3	B	Grey
1	4	/B	Pink
3	5	I ₀	Red
4	6	/I ₀	Black
7	7	/Alarm	Purple
12	9	5 V	Brown/ Green
2	9	+5 V sensor	Blue
10	11	0 V	White/ Green
11	11	0 V sensor	White
Housing	Housing	Ground	Shield



Connection to other CNC's

UP TO 12 METERS

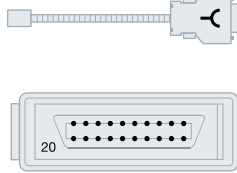
For direct connection to FANUC® (second feedback)

EC-...C-FN1

Lengths: 1, 3, 6 and 9 meters

HONDA / HIROSE connector (female Pin )

Pin	Signal	Color
1	A	Green
2	/A	Yellow
3	B	Blue
4	/B	Red
5	I ₀	Grey
6	/I ₀	Pink
9	+5 V	Brown
18-20	+5 V sensor	
12	0 V	White
14	0 V sensor	
16	Ground	Internal shield
Housing	Ground	External shield



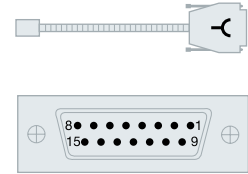
For direct connection to SIEMENS®, HEIDENHAIN, SELCA and others.

EC...AS-H

Lengths: 1, 3, 6, 9 and 12 meters

SUB D 15 HD connector (female Pin )

Pin	Signal	Color
3	A	Green
4	/A	Yellow
6	B	Blue
7	/B	Red
10	I ₀	Grey
12	/I ₀	Pink
1	+5 V	Brown
9	+5 V sensor	Purple
2	0 V	White
11	0 V sensor	Black
Housing	Ground	Shield



Without a connector at one end; for other applications.

EC...AS-O

Lengths: 1, 3, 6, 9 and 12 meters

Signal	Color
A	Green
/A	Yellow
B	Blue
/B	Red
I ₀	Grey
/I ₀	Pink
+5 V	Brown
+5 V sensor	Purple
0 V	White
0 V sensor	Black
Ground	Shield



FROM 12 METERS ON

EC-...A-C1 cable + XC-C2... FN1 extension cable
EC-...A-C1 cable + XC-C2... H extension cable

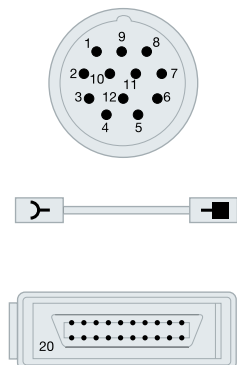
XC-C2... FN1 extension cable

Lengths: 5, 10, 15, 20 and 25 meters

12 CIRCULAR connector (female Pin )

SUB D 15 HD connector (male Pin )

Pin	Pin	Signal	Color
5	1	A	Brown
6	2	/A	Green
8	3	B	Grey
1	4	/B	Pink
3	5	I ₀	Red
4	6	/I ₀	Black
12	9	+5 V	Brown/ Green
2	18-20	+5 V sensor	Blue
10	12	GND	White/ Green
11	14	GND sensor	White
Housing	16	Ground	Shield



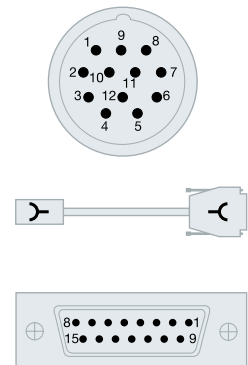
XC-C2... H extension cable

Lengths: 5, 10, 15, 20 and 25 meters

12 CIRCULAR connector (female Pin )

SUB D 15 HD connector (male Pin )

Pin	Pin	Signal	Color
5	3	A	Brown
6	4	/A	Green
8	6	B	Grey
1	7	/B	Pink
3	10	I ₀	Red
4	12	/I ₀	Black
12	1	+5 V	Brown/ Green
2	9	+5 V sensor	Blue
10	2	0 V	White/ Green
11	11	0 V sensor	White
Housing	Housing	Ground	Shield



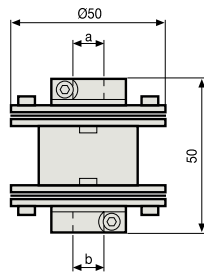
ANGULAR ENCODERS accessories

Couplings for solid-shaft encoders

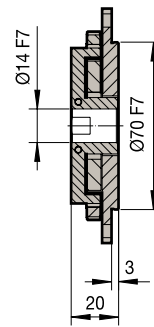
In order to ensure the accuracy of the solid-shaft angular encoder, it is a must to use couplings that provide them with long lasting stability. Fagor Automation recommends using our AA and AP couplings that have been designed for our encoders and provide a guarantee that other couplings cannot.

AA Model

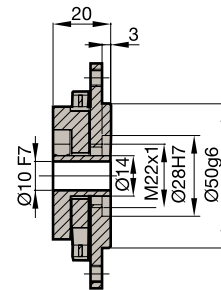
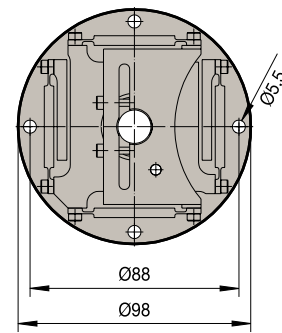
The AA model comes in three versions depending on the diameter of the coupling as shown in the table below:



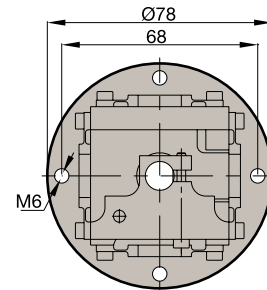
Model	a mm	b mm
AA 10/10	10	10
AA 10/14	10	14
AA 14/14	14	14



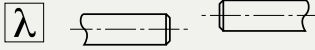

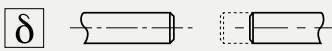
AP 14 model



AP 10 model

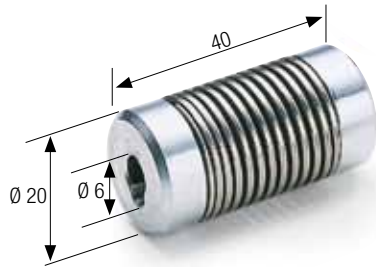


Specific characteristics

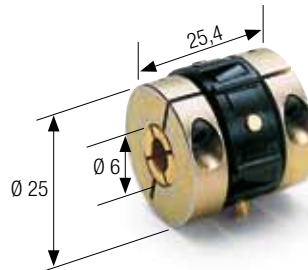
	AA 10/10 AA 10/14 AA 14/14	AP 10	AP 14
Maximum radial misalignment permitted 	0.3 mm	0.3 mm	0.3 mm
Maximum angular misalignment permitted 	0.5°	0.5°	0.2°
Maximum axial misalignment permitted 	0.2 mm	0.2 mm	0.1 mm
Kinematic transfer error	± 2" if $\lambda \leq 0.1$ mm and $\alpha \leq 0.09^\circ$	± 3" if $\lambda \leq 0.1$ mm and $\alpha \leq 0.09^\circ$	± 2" if $\lambda \leq 0.1$ mm and $\alpha \leq 0.09^\circ$
Maximum torque that may be transmitted	0.2 Nm	0.5 Nm	0.5 Nm
Torsion rigidity	1 500 Nm/rad.	1 400 Nm/rad.	6 000 Nm/rad.
Maximum rotating speed	10 000 rpm	1 000 rpm	1 000 rpm
Weight	93 gr	128 gr	222 gr
Inertia	20×10^{-6} kg/m ²	100×10^{-6} kg/m ²	200×10^{-6} kg/m ²

ROTARY ENCODERS accessories

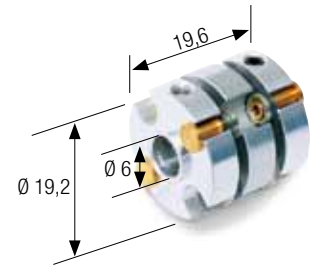
Coupling caps (solid shaft)



AF model

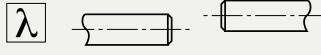

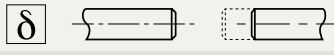


AC model



AL model

Specific characteristics

	AF	AC	AL
Maximum radial misalignment permitted 	2 mm	1 mm	0.2 mm
Maximum angular misalignment permitted 	8°	5°	4°
Maximum axial misalignment permitted 	± 1.5 mm	—	± 0.2 mm
Maximum torque that may be transmitted	2 Nm	1.7 Nm	0.9 Nm
Torsion rigidity	1.7 Nm/rad.	50 Nm/rad.	150 Nm/rad.
Maximum rotating speed	12000 rpm		

AH coupling caps

Rotary encoders: coupling caps (hollow shaft)

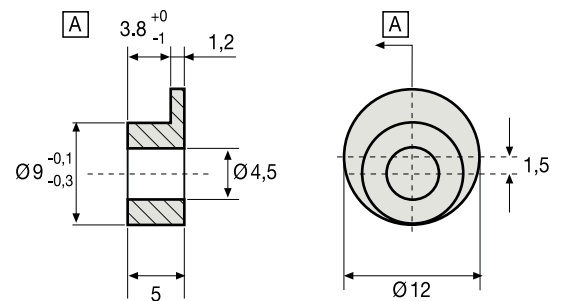
The hollow shaft encoders are accompanied by a standard 6 mm cap diameter (Ø 6).

Can also be supplied in the following diameters:
Ø 3, Ø 4, Ø 6, Ø 7, Ø 8 and Ø 10 mm, 1/4" and 3/8".



AD-M washer

Washer for mounting rotary encoder models H, HP, S, SP.



LINEAR AND ANGULAR ENCODERS accessories

Protection

Enclosed **linear encoders** meet the protection requirements IP 53 of the **IEC 60 529** standard when mounted so water splashes don't hit the sealing lips directly. For further protection, a separate protection guard must be mounted.

If the encoder is exposed to concentrated liquids and vapor, compressed air may be used to achieve a protection degree of IP 64 and prevent any contamination from getting inside. For these cases, Fagor Automation recommends their Air filter units AI-400 and AI-500.

• AI-400 filter

The air coming from an compressed air supply must be treated and filtered in the AI-400 unit which consists of:

- Filtering and pressure regulating group.
- Fast inlets and joints for 4 measuring systems.
- A plastic tube 25 m long with an inside diameter of 4 mm and outside diameter of 6 mm.

• AI-500 filter

Under extreme conditions where the air must be dried, Fagor Automation recommends using their air filter AI-500. This includes a drying module that makes it possible to reach the conditions required by Fagor Automation feedback systems.

AI-500 filter MODELS	
For 2 axes:	AI-525
For 4 axes:	AI-550
For 6 axes:	AI-590



Technical Characteristics	Filters AI-400 / AI-500	
	Standard	Special
Maximum input pressure	10.5 kg/cm ²	14 kg/cm ²
Maximum operating temperature	52 °C	80 °C
Output pressure of the unit	1 kg/cm ²	
Consumption per measuring system	10 l/min.	
Safety	Micro-filter saturation alarm	

Air conditions (Meets the standard DIN ISO 8573-1)

Fagor Automation linear feedback systems require the following air conditions:

- Class 1 - Maximum particle 0.12 μ
- Class 4 (7 bars) - Dew point 3 °C
- Class 1 - Maximum oil concentration: 0.01 mg/m³.

Safety switch

It consists of a pressostat capable of activating an alarm switch when the pressure gets below 0.66 kg/cm².

Technical data:

The switching pressure may be adjusted between 0.3 and 1.5 kg/cm².

- Load: 4 A.
- Voltage: 250 V approx.
- Protection: IP65.




FeeDat® is a registered trademark of Fagor Automation,
DRIVE-CLIQ® is a registered trademark of SIEMENS® Aktiengesellschaft,
SIEMENS® is a registered trademark of SIEMENS® Aktiengesellschaft,
FANUC® is a registered trademark of FANUC® Ltd.
MITSUBISHI® is a registered trademark of MITSUBISHI® Shoji Kaisha, Ltd. and
PANASONIC® is a registered trademark of PANASONIC® Corporation



FAGOR AUTOMATION

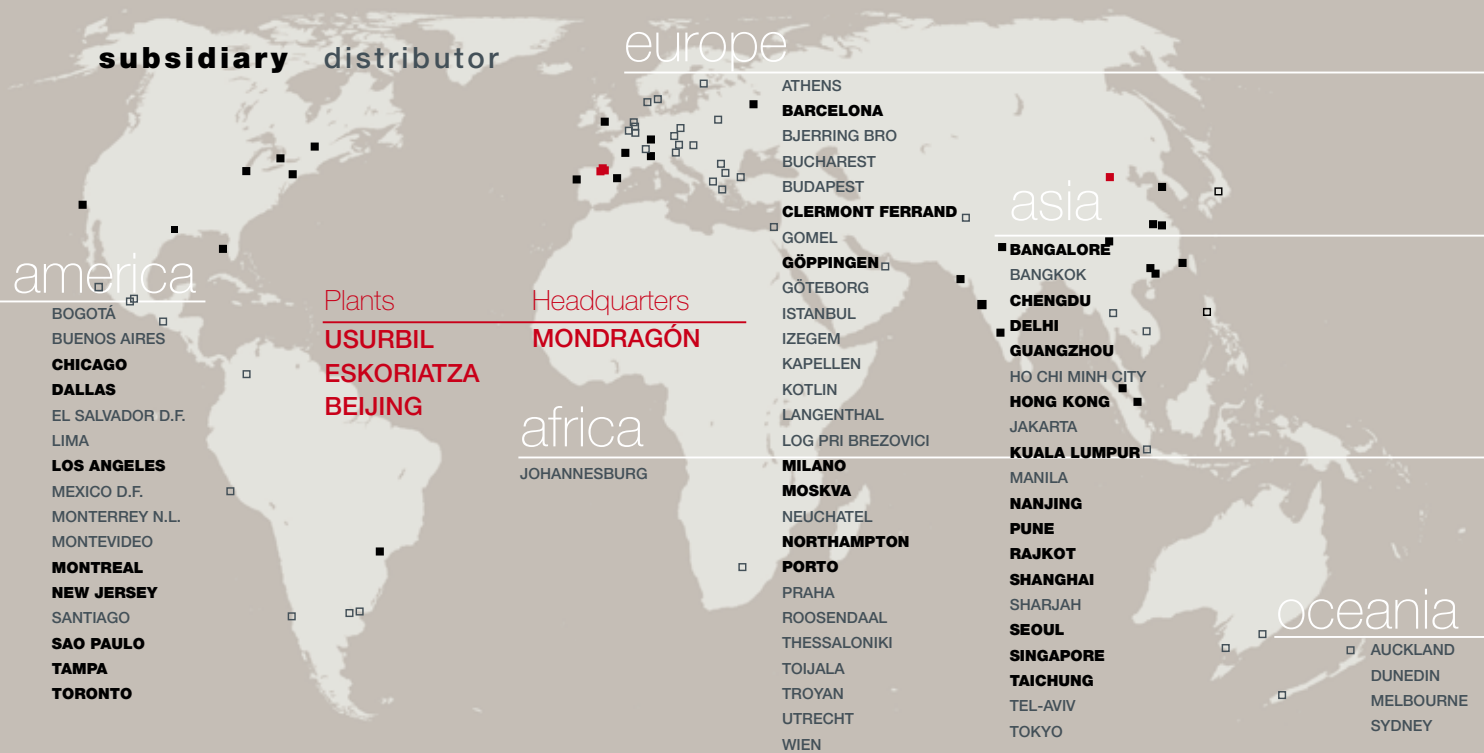
Fagor Automation, S. Coop.
 Bº San Andrés, 19
 E-20500 Arrasate - Mondragón
 SPAIN
 Tel.: +34 943 719 200
 Fax.: +34 943 791 712
 E-mail: info@fagorautomation.es



Fagor Automation holds the ISO 9001 Quality System Certificate and the  Certificate for all products manufactured.

www.fagorautomation.com

EPS - CAP GRAL. EN 0714



worldwide automation